
Chapter Title: The Pottery Assemblage

Chapter Author(s): Amir Golani and Svetlana Talis

Book Title: Ashqelon Barne'a

Book Subtitle: The Early Bronze Age Site : Volume II : The Finds

Book Author(s): Amir Golani

Published by:

Stable URL: <https://www.jstor.org/stable/j.ctv2x1nq07.5>

JSTOR is a not-for-profit service that helps scholars, researchers, and students discover, use, and build upon a wide range of content in a trusted digital archive. We use information technology and tools to increase productivity and facilitate new forms of scholarship. For more information about JSTOR, please contact support@jstor.org.

Your use of the JSTOR archive indicates your acceptance of the Terms & Conditions of Use, available at <https://about.jstor.org/terms>



This content is licensed under a Creative Commons Attribution-NonCommercial 4.0 International License (CC BY-NC 4.0). To view a copy of this license, visit <https://creativecommons.org/licenses/by-nc/4.0/>.



JSTOR

is collaborating with JSTOR to digitize, preserve and extend access to *Ashqelon Barne'a*

CHAPTER 1

THE POTTERY ASSEMBLAGE

AMIR GOLANI AND SVETLANA TALIS

INTRODUCTION

The excavations at Ashqelon Barne‘a produced a large amount of pottery associated with the three main EB I occupation strata identified at the site, spanning the late EB IA/EB IA–IB transition (Stratum IV) to the end of EB IB (Strata III–II; Golani 2019b:37–38).¹ However, the ceramics were poorly preserved and dominated by fragments; only a few vessels were complete or restorable.

Methodology of Ceramic Processing

All the pottery sherds from secure loci destined for restoration were kept in their entirety. Following restoration, all non-diagnostic body sherds were discarded. Rims, bases, handles and other sherds indicative of a specific form, method of manufacturing or decorative technique were retained. For every pottery basket, the amount of each ceramic type and subtype was entered into a computerized database, along with fabric (color, core, inclusions), surface treatment (wash/slip/burnish, applied/impressed/incised decoration) and level of firing. All the pottery from loci securely associated with a specific stratum or phase in all the areas was combined, and a representative ceramic assemblage for each stratum was created.

Although occupation at Barne‘a spanned several centuries, the poorly preserved ceramic repertoires of the three strata are very similar, a phenomenon already noted during excavation; thus, the ceramic finds were not a factor in the stratigraphic determination. The relative and absolute chronology of the strata was arrived at by meticulous analysis of the stratigraphic sections, construction techniques and architectural styles (Golani 2019a), as well as the radiocarbon dates (Boaretto 2019). The homogenous nature of the ceramics is apparently due to the mobility of the small sherds and intrusions of earlier or later ceramics, even within stratigraphically secure loci. This appears to have been particularly relevant in Area D, which was intensively inhabited throughout the sequence. Thus, when a type that is most common or diagnostic of one stratum, appears in a much smaller percentage in a stratum below or above, it may be considered residual. The homogeneity of the assemblages posed a methodological challenge as to how best to publish the data. Consequently, a typological

¹ The ceramic material associated with Stratum V comprises a very small and insignificant assemblage originating in a few probes conducted in Areas B and D, and is not included in the present analysis.

analysis of the combined assemblage is first presented according to four basic functional categories (Fig. 1.1): bowls, holemouth jars, storage jars and juglets and jugs, as well as varia including handles, two unique vessels, a small number of cornets and decorated body sherds (Figs. 1.2–1.8). This is followed by representative ceramic assemblages of each stratum (Figs. 1.9–1.35).

Statistical analyses of all the ceramic forms were deemed imperative in order to detect and investigate general trends in ceramic type frequencies between the strata over time. A total of 2667 diagnostic ceramics were retrieved from the secure stratified loci of Strata IV–II (Tables 1.1, 1.2). The statistical counts are based on the rims of the four major

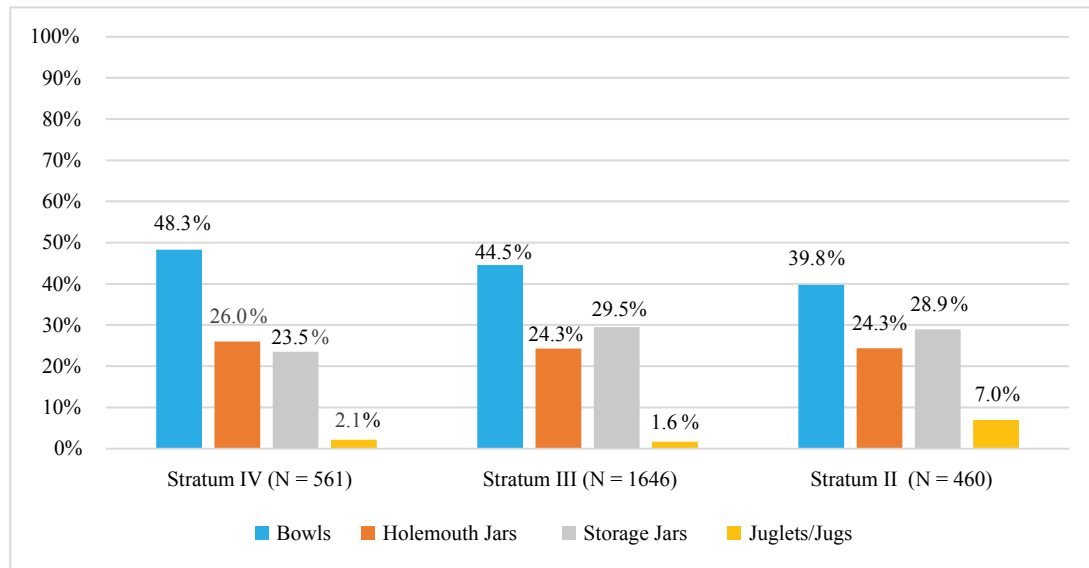


Fig. 1.1. Vessel categories by strata.

Table 1.1. Pottery Assemblages According to Area and Stratum*

Area \ Stratum	IV	III	II	Total	
				N	%
A	11	25		36	1.3
B	30	81		117	4.4
D	188	946	396	1530	57.4
G	169	143		312	11.7
H	49	144	10	203	7.6
I	25	38		63	2.4
J		53	8	61	2.3
K		75	27	102	3.8
L	31	60	19	110	4.1
M	58	81		139	5.2
Total	561 (21%)	1646 (61.7%)	460 (17.3%)	2667	100

* Excluding ledge handles and cornets.

Table 1.2. Vessel Categories According to Area and Stratum

Area	Bowls			Holemouth Jars			Storage Jars			Jugs/Juglets		
	Stratum			Stratum			Stratum			Stratum		
	IV	III	II	IV	III	II	IV	III	II	IV	III	II
A	4	12		3	8		4	4			1	
B	15	45		12	21		2	14		1	1	
D	95	402	163	32	210	88	56	319	114	5	15	31
G	80	77		54	41		31	25		4		
H	21	63	1	17	40	7	9	38	2	2	3	
I	16	15		3	5		6	17			1	
J		28	3		16	3		8	2		1	
K		31	10		17	7		22	9		5	1
L	17	26	6	8	19	7	6	15	6			
M	23	34		17	23		18	24				
<i>Total</i>	271	733	183	146	400	112	132	486	133	12	27	32
<i>Total Category</i>	1187 (44.5%)			658 (24.7%)			751 (28.1%)			71 (2.7%)		
<i>Total Assemblage</i>	2667 (100%)											

categories (handles, bases and body sherds were excluded, as they could not be attributed to specific vessel types, and cornets that are deemed a Chalcolithic intrusion). The pottery originated in all excavation areas, except Area E due to its meager ceramic finds and their uncertain stratigraphic attribution; Area F was devoid of ceramic remains and Area C represents a Byzantine occupation. The results of these quantitative analyses are presented by area and stratum in Table 1.1, by area, stratum and ceramic category in Table 1.2 and by type in Tables 1.3–1.7. Further breakdowns of each type per area are presented in Appendix 1.1 (Tables 1.8–1.47).

THE CERAMIC ASSEMBLAGE

Technology

Due to the relatively low firing temperature of the ceramic vessels, along with the salinity and abrasive nature of the surrounding soil matrix, the vast majority of the pottery was so friable that it was only 'dry cleaned' in the field, as immersion in water would have caused many of the sherds to disintegrate into mud.

The pottery is handmade, although some of the bowls appear to have been manufactured on a tournette, as evidenced by string-cut bases and horizontal wheel marks on the body. The coil method was predominant for the production of most ceramic forms, though use of the slab method and molds cannot be ruled out. Storage jars were often made of several pieces, the neck and the body joined at the base of the neck.

Bases are the most numerous of the diagnostic sherds recovered. Except for juglets, nearly all the vessels had flat bases and none bore traces of mat impressions. Some of the smaller bases exhibit string-cut marks (e.g., Fig. 1.30:12, 13), while others were roughly

worked and seem to indicate that the vessel was detached from the working platform with a twisting motion.

The fabrics are varied. Most of the larger, thick-walled vessels such as storage jars have numerous inclusions. Petrographic analysis was conducted on 47 samples, revealing five distinct petrographic groups (see Chapter 2). Group A, characterized by loess soils, appears to be local and comprises 47% of the petrographically sampled sherds. Group B is probably of northern Israel provenance and the components of Groups C and D (Moza clay and marl) apparently originated in the Samarian and Judean Hills, and these groups are considered as imported to the site; they comprise nearly 49% of the samples. Two vessel fragments (Figs. 1.30:15; 1.35:9) were clearly of a different fabric, and petrographic analysis determined that they originated in the Egyptian Nile Valley (Group E). The samples were chosen on a representative basis, and do not reflect the actual proportions in the typological assemblage. However, based on macroscopic examination, the fabrics represented by Group A (local wares) appear to comprise the majority of the ceramic assemblage, although imported wares (Groups B, C, D) form a significant proportion. The Egyptian component is probably much smaller than the relative amount defined in the petrographic assemblage, as the two samples representing Group E were purposefully selected due to their distinctly different form and fabric.

Many vessels bear faint traces of red wash, although this surface treatment was probably more common than appears, as the red color may have worn off due to the degenerative nature of the depositional environment. Some of the vessels, especially the storage jars, exhibit traces of a white lime(?) wash on their exterior (Figs. 1.24:6; 1.27:3, 6; 1.28:8; 1.33:11), at times also with vertical red-painted bands (e.g., Fig. 1.30:14). Decoration in the form of small, consecutive indentations made with the thumb or an instrument of similar size, on or just below the rim (here termed a scalloped or thumb-indented rim), is common on bowls, holemouth jars, storage jars and ledge handles (e.g., Figs. 1.3:1, 2; 1.5:5; 1.6:3; 1.7:10; 1.8:7). Plastic decoration in the form of applied clay coils indented or incised in rope fashion is sometimes found on bowls, holemouth and storage jars (e.g., Figs. 1.2:4; 1.4:8, 9; 1.27:6). Incised or impressed diagonal lines below the rims of holemouth jars and on the necks of storage jars are also common (e.g., Figs. 1.4:2; 1.7:9). Although associated with a slightly earlier EB I phase, the remains of a ceramic firing kiln were identified at Ashqelon Afridar in Area J2, Stratum 6 (Baumgarten 2004:167, Fig. 6), evidence that at least in that phase, some of the vessels were produced in the vicinity of the site.

Typology

With minor variations, the typological designations used in this report follow those formulated during the processing of the ceramic assemblage of Ashqelon Afridar Area E (Golani 2004) and later continued in the publication of Afridar Area M (Golani 2008). Lacunae in the typological sequence indicate the absence of that form in the present ceramic assemblage. For example, Bowl Type IV (B IV), identified in Afridar Area E (Golani 2004:23, Fig. 23:1, 2), was not found in the Barne'a assemblage and may indicate a form characterizing an earlier phase of EB IA. The present typology also includes forms

not identified in previous works (e.g., Bowl Types VIII–X, Holemouth Jar Types VII, VIII, Storage Jar Types VII–IX).

As noted above, the pottery is divided into four major categories (Fig. 1.1): bowls (Figs. 1.2, 1.3), holemouth jars (Figs. 1.4, 1.5), storage jars (Figs. 1.6, 1.7) and juglets/jugs (Fig. 1.8:1–4). Each category includes a number of types that are differentiated by form or decorative technique; some types are further divided into subtypes. Among the varia, several types of ledge handles are distinguished (Fig. 1.8:5–7). Parallels, when deemed necessary, are first cited from the Ashqelon region, then emanate outward.

Bowls (Table 1.3; Figs. 1.2, 1.3)

A total of 1187 identifiable bowls originated in the secure loci of Strata IV–II, comprising 44.5% of the entire assemblage (see Table 1.2). Nine bowl types were defined, two divided into subtypes. Bowls show a slight but steady decline in frequency over time (see Fig. 1.1).

Table 1.3. Bowls from All Excavated Areas According to Type and Stratum

Type \ Stratum	B Ia	B Ib	B II	B III	B V	B VIa	B VIb	B VII	B VIII	B IX	B X	Total
IV	134		23	13	3	18	3	74			3	271
III	251	10	37	50	6	40	20	303	6	4	6	733
II	32	2	9	13	4	6	6	104	4	3		183
Total	417 (35.1%)	12 (1%)	69 (5.8%)	76 (6.4%)	13 (1.1%)	64 (5.4%)	29 (2.4%)	481 (40.5%)	10 (0.8%)	7 (0.6%)	9 (0.8%)	1187 (100%)

B Ia: V-Shaped Bowls with a Simple Tapering Rim (Fig. 1.2:1–3)

Simple V-shaped bowls, ranging from thin-walled, delicate forms (Fig. 1.2:2) to thicker-walled examples (Fig. 1.2:1, 3). The rims are generally straight and tapering. A few bowls bear traces of red wash on the exterior and/or interior (Figs. 1.9:1; 1.14:2, 6, 9, 10; 1.36:2). Subtype B Ia bowls are one of the most common bowls in all the strata (35.1%); they predominate in Stratum IV (49.5% of the bowls), declining to 34% in Stratum III and 17.5% in Stratum II. Most examples of this subtype from Stratum II originate in Area D (see Appendix 1.1: Table 1.10).

Subtype B Ia V-shaped bowls are common during the Chalcolithic period, and continue throughout EB I, as attested in Afridar Area E (Golani 2004: Fig. 22:1–9), Area F Strata II–I (Khalaily 2004: Type B1; Figs. 6:1–3; 11:1–3, 5–16), Area G (Braun and Gophna 2004: Fig. 17:1, 3–5, 7), Area J2 Strata 6–5 (Baumgarten 2004: Figs. 9:1; 10:1, 2; 15:2) and Area M (Golani 2008: Fig. 8:1–4), as well as Nizzanim Stratum 5 (Yekutieli and Gophna 1994: Fig. 12:16, 18, 19), Tel Ḥalif Terrace Strata XVIII–XVI (Dessel 2009: Pl. 12:1–17) and Site H in the Besor region (Roshwalb 1981: Fig. H.4:1–7). Petrographic analysis of two samples showed that they were locally made (see Chapter 2: Table 2.1: Nos. 1, 2).

B Ib: V-Shaped Bowls with a Squared-Off Rim (Fig. 1.2:4)

Thick-walled bowls with a simple squared-off rim, occasionally with an applied rope decoration (Figs. 1.2:4; 1.14:13). This form comprises 1% of all the bowls and is found

only in Strata III–II; most originate in Area D (Appendix 1.1: Table 1.10). These vessels may have functioned as bowls, but could also have been bases of cult stands, which are known from EB IB strata at Qiryat Ata (Golani 2003: Fig. 4.14:2). Petrographic analysis of an example of this subtype showed that it was imported to the site (see Chapter 2: Table 2.1: No. 3).

B II: V-Shaped Bowls with Red Slip and Burnish (Fig. 1.2:5, 6)

Large, thick-walled bowls with a simple tapering rim and a thick red slip or wash and burnishing on the exterior and interior. Although the burnish is not evenly executed, it is usually oriented in one direction, either vertically, horizontally or diagonally. This decorative feature is also found on some of the Type B VII bowls (e.g., Fig. 1.3:5).

These bowls appeared in small amounts in Strata IV–II (5.8% of the bowls). As most of these bowls appeared in Strata IV–III, the few from Stratum II, mainly Area D (see Appendix 1.1: Table 1.10), are probably residual.

These distinctive red-slipped and burnished V-shaped bowls are well known in the southern Shephelah and coastal region, and are apparently characteristic of the southern EB I. They were found in Afridar Area E (Golani 2004: Fig. 22:10–13), Tel ‘Erani Layer D (Yekutieli 2000: Fig. 8.2:10), Lakhish Cave 1503 (Tufnell 1958: Pl. 56:28), Taur Ikhbeineh Phases III–IV (Oren and Yekutieli 1992: Fig. 10:23, 24), Site H in the Besor region (Roshwalb 1981: Fig. H.4:8) and Azor Stratum I (Golani and Brink 1999: Fig. 4:1). Red slip and burnish are typical Egyptian ceramic traits, suggesting that this practice was introduced as a result of Egyptian influence (Yekutieli 2000:150). Petrographic analysis of two examples of this type showed that they were locally made (see Chapter 2: Table 2.1: Nos. 4, 5).

B III: Hemispherical Bowls (Fig. 1.2:7–10)

Small to medium-sized bowls of hemispherical form, some shallow, others deeper, with a simple tapering rim and a flat base (Fig. 1.2:8–10) that was sometimes quite narrow (Fig. 1.2:10). A number of these bowls bear traces of red wash on the exterior and interior (Fig. 1.15:5, 9), and some have a decoration of small knobs just below the rim (Figs. 1.2:7; 1.9:9; 1.15:14). This form comprises 6.4% of all the bowls and was most common in Area D (see Appendix 1.1: Table 1.10). It becomes slightly more predominant in EB IB (4.8% in Stratum IV, 6.8% in Stratum III, 7.1% in Stratum II).

The hemispherical bowl has long been considered an EB I hallmark in southwestern Canaan (Amiran 1969:49). Examples of this type were found in EB IA contexts in Afridar Area E (Golani 2004: Fig. 22:15), Area F Stratum I (Khalaily 2004: Fig. 6:14–16) and Area G (Braun and Gophna 2004: Fig. 17:2, 8), and in Nizzanim Stratum 5 (Yekutieli and Gophna 1994: Fig. 12:10) and Site H in the Besor region (Roshwalb 1981: Fig. H.4:4). Examples from EB IB contexts are known, for example, in Tel ‘Erani Layer C (Yekutieli 2006: Fig. 5:10–12) and Tel Ḥalif Terrace Silo Site Strata II–I (Alon and Yekutieli 1995: Figs. 15:17; 16:8, 9, 13; 17:12; 20:10–18). The presence of small knobs below the rims on some of the examples from Barne‘a (see above) is further evidence of an EB IB association, as this form of decoration on hemispherical bowls is found during

this period throughout southern and northern Canaan, as, for example, in Tel ‘Erani Layer C (Yekutieli 2006: Fig. 5:13) and Qiryat Ata (Golani 2003: Fig. 4.2:12, 13). Petrographic analysis of two examples of this type showed that they were locally made (see Chapter 2: Table 2.1: Nos. 6, 7).

B V: Hemispherical Bowls with a Flaring Rim (Fig. 1.2:11–13)

Small to medium-sized hemispherical bowls with a flaring, tapering rim; some have a slightly globular profile (Fig. 1.2:12). A few bowls bear traces of red wash on the exterior and interior (Figs. 1.9:11; 1.15:15; 1.31:8, 9). As in Type B III, a few of these bowls have small knobs below the rim (Figs. 1.2:11; 1.31:8). One example has protruding knob handles (Fig. 1.15:15). This form (c. 1% of the bowls) appears in small numbers throughout Strata IV–II and in all the excavated areas.

Similar bowls are known from Chalcolithic and EB I sites such as Afridar Area E (Golani 2004: Fig. 23:3, 5), Area F Stratum I (Khalaily 2004: Fig. 6:7) and Area J2 Stratum 6 (Baumgarten 2004: Fig. 9:2), and in Lakhish Caves 1509, 1517 and 1534 (Tufnell 1958: Pl. 56:1, 12, 14, 23), Tel Ḥalif Terrace Silo Site Strata III and I (Alon and Yekutieli 1995: Figs. 15:18; 17:11; 23:13), Sites H and O in the Besor region (Roshwalb 1981: Figs. H.4:17–21; O.5:4) and Abu Maṭar Stratum III (Commége-Pellerin 1987: Fig. 18:6). Petrographic analysis of this type showed both local and imported wares (see Chapter 2: Table 2.1: Nos. 8–10).

B VI: Large, Thick, V-Shaped Bowls with Thumb-Indented Decoration (Figs. 1.2:14, 15; 1.3:1, 2)

Two subtypes of this form are discerned: those with thumb-indented decoration on the edge of the rim (Subtype B VIa; Fig. 1.2:14, 15) and those with the same decoration on the outer edge of an out-turned, folded-over rim (Subtype B VIb; Fig. 1.3:1, 2). A few of the bowls retain remnants of red wash on the exterior and interior (Fig. 1.16:2, 4, 8, 11). Both subtypes appear throughout Strata IV–II and are relatively stable in frequency throughout the strata (7.7% in Stratum IV, 8.1% in Stratum III, 6.6% in Stratum II).

Thumb-indented rims on bowls, holemouth and storage jars are a Chalcolithic tradition that continues to the end of EB IA in southwestern Canaan (Yekutieli 2000:150; 2001:669), and is generally absent in EB IB. Parallels to Subtype B VIa were found in EB IA contexts in Afridar Area E (Golani 2004: Fig. 23:9, 10), Area F Stratum II (Khalaily 2004: Fig. 6:6, 11) and Area G (Braun and Gophna 2004: Fig. 17:11–13), and in Tel Ḥalif Terrace Stratum XVIII (Dessel 2009: Pl. 7:3). Subtype B VIb bowls appear in the Chalcolithic sites of Shiqmim BP II (Levy 1987: Figs. 12.3:1; 12.6:1) and Abu Maṭar Stratum Pre-IV (Commége-Pellerin 1987: Fig. 21:4), and in the EB IA sites of Afridar Area E (Golani 2004: Fig. 23:11), Area F Stratum II (Khalaily 2004: Figs. 6:9, 10; 12:2, 4, 5 [defined as basins]) and Area M (Golani 2008: Fig. 8:10), as well as in Taur Ikhbeineh Phases III–IV (Oren and Yekutieli 1992: Fig. 10:14), Site H in the Besor region (Roshwalb 1981: Fig. H.4:15), Nizzanim Stratum 4 (Yekutieli and Gophna 1994: Fig. 11:18) and Azor Stratum I (Golani and Brink 1999: Fig. 4:11, 12). Petrographic analysis of four examples of this type showed them to be locally made (see Chapter 2: Table 2.1: Nos. 11–14).

B VII: Bowls with a Rounded, Folded-Out Rim (Fig. 1.3:3–6)

V-shaped bowls with slightly rounded walls and a thickened or rounded, folded-out rim. The rim is lightly sculpted with a shallow gutter just below it that accentuates the rounded lip. These bowls occur in a wide range of sizes and fabrics and many exhibit red wash on the exterior and interior, at times also with horizontal, vertical or diagonal burnish (Figs. 1.3:5; 1.10:4, 5; 1.18:1–4). Examples with red wash and burnish are generally more common in Strata IV–III, while the undecorated examples are predominant in Stratum II. This may be a similar phenomenon as Type B II bowls, also associated mainly with Strata IV–III. Type B VII bowls are the most common bowl type (40.5% of the bowls) and appeared in Strata IV–II in all the excavated areas, apparently peaking in popularity in Stratum II (56.8%).

This bowl form is characteristic of the southern EB I ceramic repertoire. Similar bowls are known from EB IA in Afridar Area F Stratum I (Khalaily 2004: Fig. 6:1–3), Area J2 Strata 1, 2 and 4 (Baumgarten 2004: Figs. 11:1; 13:1; 14:1) and Area M (Golani 2008: Fig. 9:5), and in Taur Ikhbeineh Phases II–III (Oren and Yekutieli 1992: Fig. 9:4). The same form is also found further inland, at Hartuv (Mazar and Miroshedji 1996: Fig. 17:27–29), associated with early EB IB. Based on these parallels, this form was common at the very end of EB IA and continued into EB IB. Although no examples were sampled petrographically, their fabric appears to be local.

B VIII: Deep Bowls with a Gutter Rim (Fig. 1.3:7)

Deep bowls with slightly rounded sides and a squared-off rim with a gutter, and red wash on the exterior and interior (Figs. 1.3:7; 1.18:5, 6). Ten examples of this form were discovered in Strata III–II (less than 1% of the bowls), nine of them from Area D (see Appendix 1.1: Table 1.910).

This distinctive form is a northern import, common at EB IB sites such as Qiryat Ata (Golani 2003: Fig. 4.1:15–19, Type B IIb). Three examples were sampled petrographically, all of them imported (see Chapter 2: Table 2.1: Nos. 15–17).

B IX: Deep Krater-Bowls with an In-Turned, Thickened Rim of Triangular Section (Fig. 1.3:8)

Deep, V-shaped krater-bowls with a slightly in-turned, thickened rim with a triangular section, either thick- or thin-walled. This type (less than 1% of all the bowls) was found only in Strata III–II, mostly in Area D (see Appendix 1.1: Table 1.10).

This type is known from a late phase of EB IA at Nizzanim Stratum 4 (Yekutieli and Gophna 1994: Fig. 11:19) and from EB IB at Tel Halif ‘Silo Site’ Stratum II (Alon and Yekutieli 1995: Fig. 19:16), and in the north at EB IB Qiryat Ata (Golani 2003: Fig. 4.4:1–10). Petrographic analysis of this type showed the presence of both local and imported items: two examples were locally produced (see Fig. 1.18:7, 9; Chapter 2: Table 2.1: Nos. 18, 21) and three indicate a possible northern origin (Figs. 1.18:8; 1.32:5, 6; Chapter 2: Table 2.1: Nos. 19, 20, 22). The local example in Fig. 1.18:9 has a thumb-indented ledge handle, a feature generally absent on northern forms.

B X: Gray Burnished Ware Bowls (Fig. 1.3:9–11)

Wide, shallow carinated bowls with an out-flaring rim; flattened knobs sometimes applied at the carination. The fabric is gray to dark gray with clear traces of horizontal burnishing on the exterior and interior. They comprise less than 1% of the bowls and originate in Strata IV–III, suggesting a late EB IA–early EB IB association.

Gray-Burnished Ware (GBW) bowls have long been considered a hallmark of EB I. The present examples represent the early form (Wright 1958:41*–42*, Fig. 1; Type 1) characteristic of EB IA and usually found in northern Canaan, where most of their manufacturing centers appear to have been located (Goren and Zuckerman 2000:174–175). The examples from Barne‘a are among the southernmost representatives of this ware to date. Of the seven examples petrographically sampled (see Chapter 2: Table 2.1: Nos. 23–29), four appear to have been locally produced and three are of a northern provenance.

Bowls: Summary

The repertoire of bowls from Barne‘a is typical of the EB I horizon. V-shaped bowls like those of Subtype B Ia are characteristic of the Chalcolithic period, but the examples from Barne‘a, mainly from Strata IV–III, lack the decorative red band so common on Chalcolithic examples and represent a typical EB I type. According to the petrographic analyses, Subtype B Ib bowls are likely imported; as most of them were found in the public area of the site (Area D), this may strengthen their interpretation as imported cultic objects. Bowls of Type B II, with distinctive red burnish, are associated primarily with Strata IV–III and represent a local tradition characteristic of late EB IA–early EB IB in southwestern Canaan, while their decoration may have been Egyptian-inspired. Their subsequent decline could indicate a limited continuation of this tradition into Stratum II or, more probably, residual material. Small hemispherical bowls (Type B III) and bowls with an outflaring rim (Type B V), found mainly in Area D in all the strata, sometimes bear small knobs below the rim suggesting a date toward the end of the sequence. Bowl Type B VI is characteristic of EB I in southern Canaan. The most common form of bowl, Type B VII, with a thickened or rounded, folded-out rim, is associated with the end of EB IA–beginning of EB IB in southwestern Canaan and is apparently a local product. This type is especially common in Strata III–II and thus typical of EB IB at Barne‘a. The general lack of red surface treatment on the examples from Stratum II may indicate that the red wash or slip and burnish tradition common on Types B VII and B II bowls of Strata IV–III was dying out in Stratum II. The few examples of deep bowls with a gutter rim (Type B VIII), associated with Strata III–II, appear to have been northern imports characteristic of EB IB. The few deep krater-bowls of Type B IX, known from the end of EB IA in southwestern Canaan (Yekutieli 2000:131), include northern imports that may be associated with EB IB. Finally, the GBW bowls (Type B X) from Strata IV–III are an EB IA type of northern inspiration, though some were apparently of local manufacture. The presence of locally made GBW bowls suggests the activities of itinerant potters specializing in the production of GBW, alongside the import of these wares from the north.

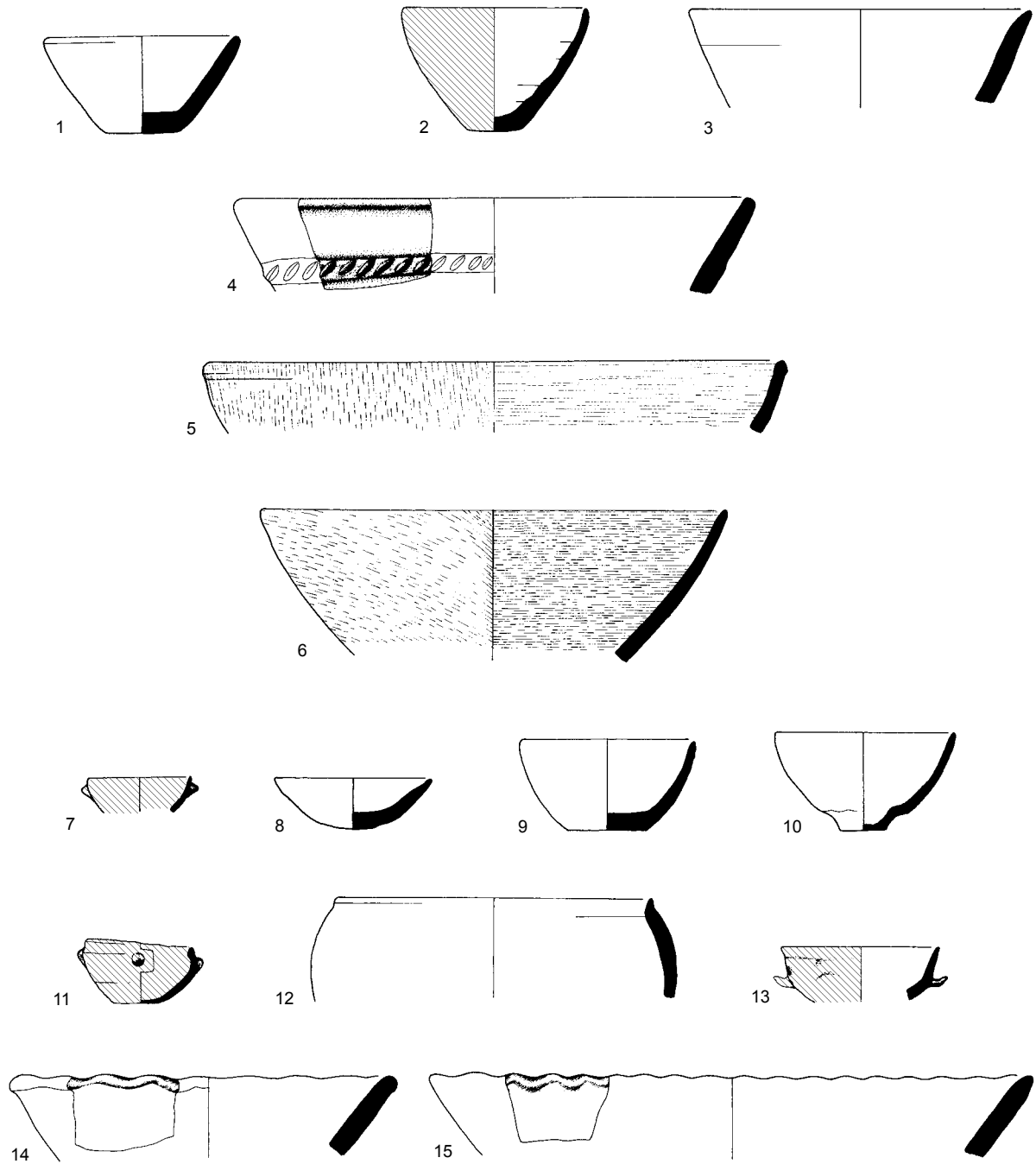


Fig. 1.2. Bowl Types I–VI.

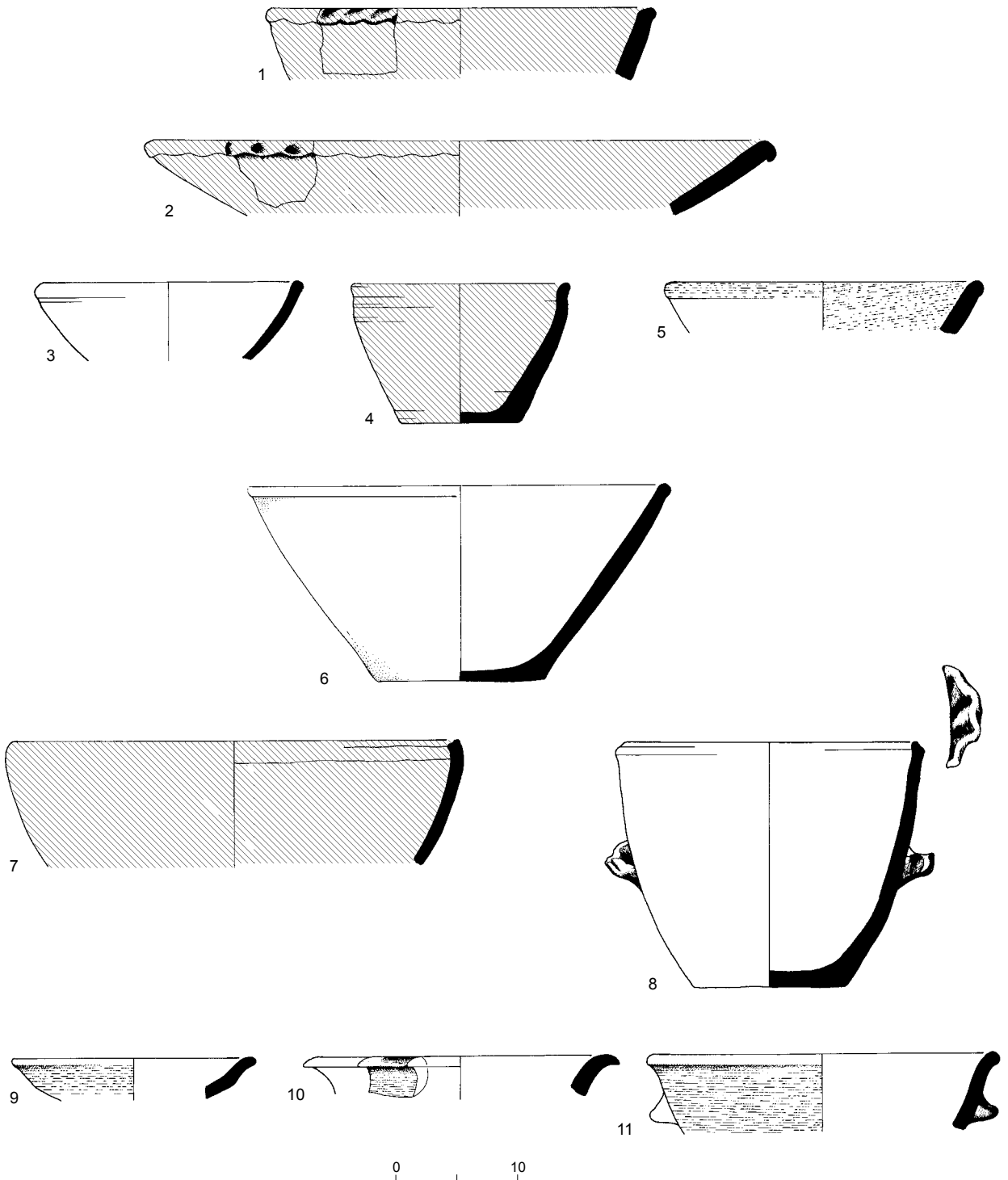


Fig. 1.3. Bowl Types VI-IX.

Holemouth Jars (Table 1.4; Figs. 1.4, 1.5)

A total of 658 identifiable holemouth jars originated in secure loci of Strata IV–II, comprising 24.7% of the entire assemblage (see Table 1.2). Eight types of holemouth jars were defined, one divided into subtypes. Holemouth jars comprise a relatively stable proportion throughout the strata and do not show any significant typological changes (see Fig. 1.1).

Table 1.4. Holemouth Jars from All Excavated Areas According to Type and Stratum

Stratum \ Type	H I	H II	H III	H IVa	H IVb	H V	H VI	H VII	H VIII	Total
IV	37	14		10	5	7	35	3	35	146
III	83	38	14	17	12	50	52	5	129	400
II	28	17	15		3	3	10		36	112
Total	148 (22.5%)	69 (10.5%)	29 (4.4%)	27 (4.1%)	20 (3%)	60 (9.1%)	97 (14.7%)	8 (1.2%)	200 (30.4%)	658 (100%)

H I: Plain Holemouth Jars with a Tapering Rim (Fig. 1.4:1–3)

The rim is most often rounded, at times tapering to a point (Fig. 1.19:1, 3). Diagonal incisions are sometimes found below the rim (Figs. 1.4:2; 1.19:5). This is one of the most common forms of holemouths (22.5% of the holemouth jars), and occurs in a variety of sizes and fabrics in all the strata and excavated areas. The frequency of this type within each stratum is relatively stable (25% in Stratum IV, 20% in Stratum III, 25% in Stratum II).

Such holemouths are common throughout the Chalcolithic period (Levy 1987: Fig. 12.11:6; Commenge-Pellerin 1987: Figs. 27:1; 28:4, 5, 7, 9, 10) and EB I, as in Nizzanim Strata 3 and 5 (Yekutieli and Gophna 1994: Figs. 10:7; 12:14, 15), Tel ‘Erani Layer D (Yekutieli 1992: Fig. 33:3), Taur Ikhbeineh Phases IV–V (Oren and Yekutieli 1992: Fig. 11:12, 15) and Tel Ḥalif Terrace Silo Site Strata IV–III (Alon and Yekutieli 1995: Figs. 23:12, 15; 24:5).

H II: Holemouth Jars with a Truncated Rim (Fig. 1.4:4–6)

A truncated rim, sometimes with diagonal thumb indentations on or below it (Figs. 1.19:11; 1.20:1–3; 1.32:10); a few have small knobs just below the rim (Fig. 1.4:5, 6; 1.19:12, 13; 1.32:10). These holemouths occur in a wide range of sizes and fabrics; they appear in all the excavated areas and are relatively common (10.5% of the holemouth jars), with a stable proportion in Strata IV–III (9.6%), rising in Stratum II (15.2%).

Such holemouth jars are common throughout EB I, as in Afridar Area F Strata II–I (Khalaily 2004: Figs. 7:4; 14:2, 8), Nizzanim Stratum 5 (Yekutieli and Gophna 1994: Fig. 12:13) and Tel Ḥalif Terrace Silo Site Stratum III (Alon and Yekutieli 1995: Fig. 23:10).

H III: Holemouth Jars with a Rim Thickened on the Inside (Fig. 1.4:7–9)

A folded-over rim, thickened on the inside, while the upper surface is flat. Some of these jars bear a ridge or rope decoration below the rim (Figs. 1.4:8, 9; 1.20:5, 7; 1.33:1). This type (4.4% of the holemouth jars) begins to appear in Stratum III (3.5%) and increases in Stratum II to 13.4%.

Thickened rims on holemouth jars are not very common in EB IA, but appear in Afridar Area J1 Stratum 5 (Baumgarten 2004: Fig. 16:4) and Site A in the Besor region (Roshwalb 1981: Fig. A.11:5). During EB IB, a general trend of thickening holemouth rims on their inside is observed (Alon and Yekutieli 1995:179). Toward the end of EB IB, the thickening becomes quite pronounced, often with segmented rope decoration below the rim, as at Tel Halif Terrace ‘Silo Site’ Strata II–I (Alon and Yekutieli 1995: Figs. 15:14, 15; 16:11, 12; 17:7; 19:3–9). The rims depicted in Fig. 1.20:4, 5, associated with Stratum III, are typical of EB IB, and that in Fig. 1.20:6 has exact parallels in EB IB contexts at sites in the Shephelah such as Tel Lod Strata IVa–b (Brink et al. 2015: Figs. 26:4; 27:4). This type becomes predominant in a late phase of that period at another excavation in Lod (Eli Yannai, pers. comm; Stratum VI). Petrographical analysis of one example of this type attests that it was imported (see Chapter 2: Table 2.1: No. 42).

H IV: Holemouth Jars with a Ridge or Rope Decoration below the Rim (Fig. 1.4:10, 11)

Two subtypes of this form were identified: Subtype H IVa with the rim thickened on the outside and a flattened ridge creating a triangular profile (Figs. 1.4:10; 1.20:8, 10), and Type H IVb with a pronounced, continuous ridge or rope decoration applied below the rim (Figs. 1.4:11; 1.10:12, 13; 1.21:1–5). Both subtypes are uncommon, together comprising 7.1% of the holemouth jars. Type H IV was found in all the excavated areas, primarily in Strata IV–III, and comprises 10.3% in Stratum IV, 7.3% in Stratum III, and declines to 2.7% in Stratum II, when the few examples may be residual.

This type is characteristic of EB IA, appearing at EB IA sites such as Afridar Area Area E (Golani 2004: Fig. 25:4–8), Area F Stratum I (Khalaily 2004: Fig. 7:7, 10) and Area G (Braun and Gophna 2004: Fig. 20:8, 14, 15), and Tel ‘Erani Layer D (Yekutieli 1992: Fig. 33:6); it is generally lacking at EB IB sites.

H V: Holemouth Jars with a Sculpted Rim (Fig. 1.5:1, 2)

A thickened, truncated rim, often upturned or with a slightly protruding lower and upper lip creating a hammer-head profile. Some rims are decorated with shallow thumb indentations (Figs. 1.5:1; 1.11:1–3; 1.21:6, 9, 11, 12). This type (9.1% of the holemouth types) is primarily diagnostic of Stratum III (12.5%); the relatively small amounts of this type in Strata IV (4.7%) and II (2.7%) suggest they may be intrusive and residual in those strata.

Although antecedents may be found in the Chalcolithic period (e.g., Roshwalb 1981: Fig. M.4:18; Commenge-Pellerin 1987: Fig. 24:4, 5 [depicted as basins]), this distinctive form is most common in EB IA in the coastal plain and southern Shephelah, as in Afridar Area E (Golani 2004: Fig. 26:1, 2), Area F Stratum II (Khalaily 2004: Fig. 14:3), Area J1 Stratum 6 (Baumgarten 2004: Fig. 15:6) and Area M Stratum I (Golani 2008: Fig. 9:8), and at Azor Strata I–II (Golani and Brink 1999: Figs. 6:3–9; 11:3–6). Yekutieli has assigned this type to the later part of EB IA (Yekutieli 1992:31–34). One example of this type was petrographically sampled (see Chapter 2: Table 2.1: No. 43), revealing it to be an import.

H VI: Holemouth Jars with a Scalloped Rim (Fig. 1.5:3)

A simple tapering rim, sometimes slightly upturned, the tip bearing a scalloped decoration (Figs. 1.5:3; 1.11:4; 1.21:13). This type (14.7% of the holemouth jars) shows a steady decline in frequency over time: 24% in Stratum IV, 13% in Stratum III and 9% in Stratum II.

This form begins to appear in the Chalcolithic period (e.g., Levy 1987: Fig. 12.8:3; Commenge-Pellerin 1987: Fig. 26:9), becoming much more common during EB IA in the coastal regions and the southern Shephelah, as in Afridar Area E (Golani 2004: Fig. 26:5–10), Area F Strata II–I (Khalaily 2004: Figs. 7:6, 8, 12; 14:7), Area G (Braun and Gophna 2004: Fig. 20:8–13), Area J2 Strata 5–3 (Baumgarten 2004: Figs. 10:14; 11:16, 17; 12:7, 8; 16:5) and Area M Stratum II (Golani 2008: Fig. 8:13–17), and in Tel Ḥalif Terrace Stratum XVIII (Dessel 2009: Pl. 2:11) and Site H in the Besor region (Roshwalb 1981: Fig. H.5:3).

H VII: Holemouth Jars with an In-Turned Rim (Fig. 1.5:4)

A simple tapering rim that is slightly bent down. This is a rare form (1.2% of the holemouth jars), appearing in very small numbers in Strata IV and III only. Parallels associated with EB IA were found in Afridar Area F Stratum I (Khalaily 2004: Fig. 7:5).

H VIII: Holemouth Jars with an Out-Turned, Folded-Over Rim with Scalloped Decoration (Fig. 1.5:5, 6)

A sharply out-turned rim, often decorated with a scalloped decoration (Figs. 1.5:5, 6; 1.22:1–3, 5–7; 1.33:4, 5). This is the most common holemouth form (30.4% of the holemouth jars), beginning in Stratum IV (24%) and rising slightly in Strata III–II (c. 32%).

Parallels for this form were found in southern Canaan from the end of EB IA at sites such as Afridar Area F Strata II–I (Khalaily 2004: Figs. 7:1–3, 6, 8; 14:3, 7) and Area J2 Strata 5–4 (Baumgarten 2004: Figs. 10:13, 14; 11:19), Taur Ikhbeineh Phases IV–V (Oren and Yekutieli 1992: Fig. 11:14), Nizzanim Stratum 4 (Yekutieli and Gophna 1994: Fig. 11:14, 16) and Azor Stratum I (Golani and Brink 1999: Fig. 6:2, 8).

Holemouth Jars: Summary

Although some of the holemouth jar forms, such as Type H I, first appear in the Chalcolithic period, the entire repertoire of holemouth forms can be clearly associated with EB I. Type H III holemouth jars are generally indicative of EB IB, appearing in Strata III–II. One example of this type was found to be imported. Type H IV holemouth jars are diagnostic of EB IA, and their appearance in Strata IV–III and drastic decline in Stratum II supports a late EB IA–early EB IB date for Strata IV–III. Although Type H V holemouth jars are usually associated with the end of EB IA, at Barneʿa it is most common in Stratum III, indicating its continuity into EB IB. Type H VI holemouth jars are also common primarily at the end of EB IA, and they decline after Stratum IV. Type H VIII holemouth jars, generally attributed to the end of EB IA, appear well into the EB IB at Barneʿa. One example was imported to the site.

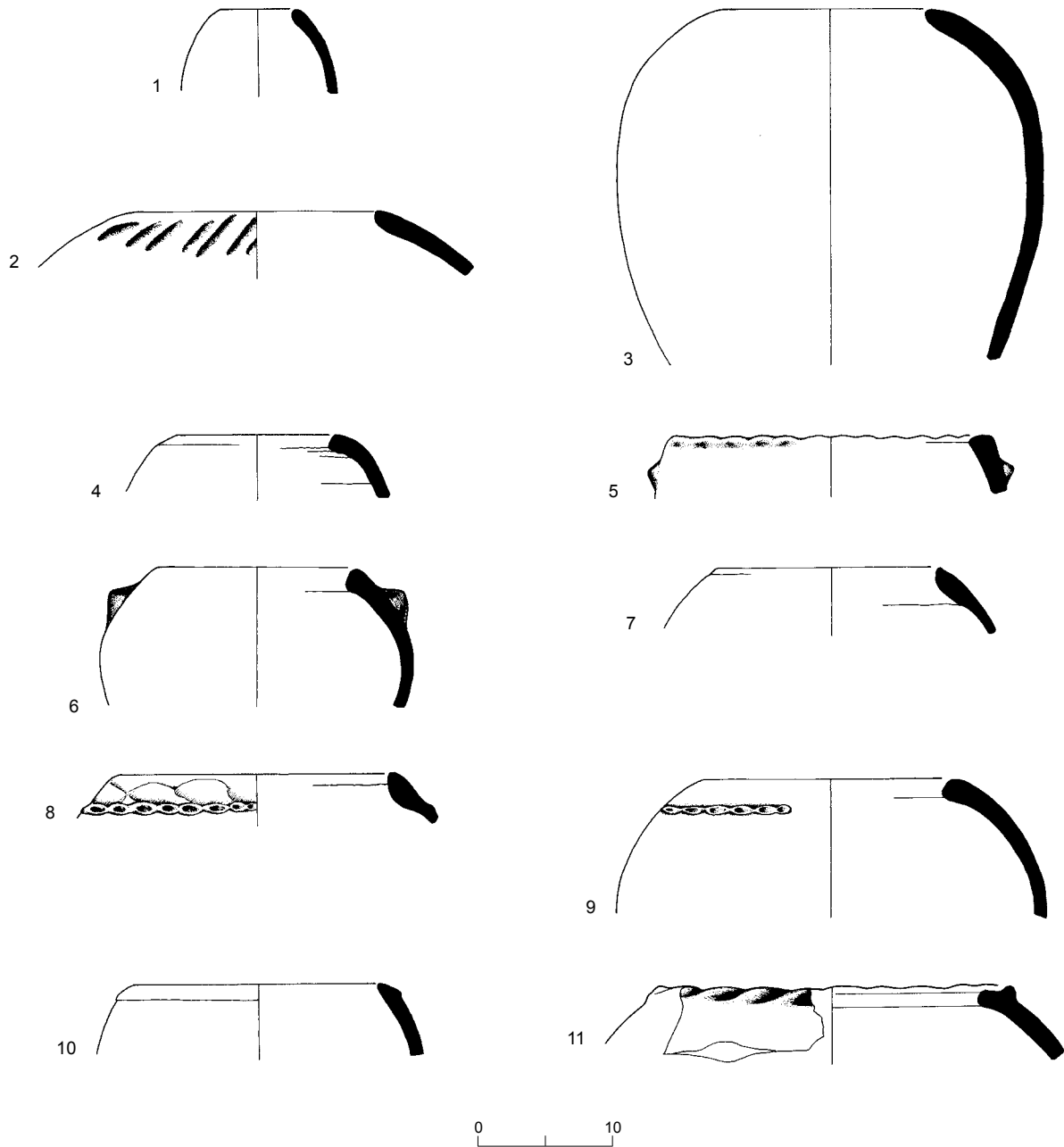


Fig. 1.4. Holemouth jar Types I-IV.

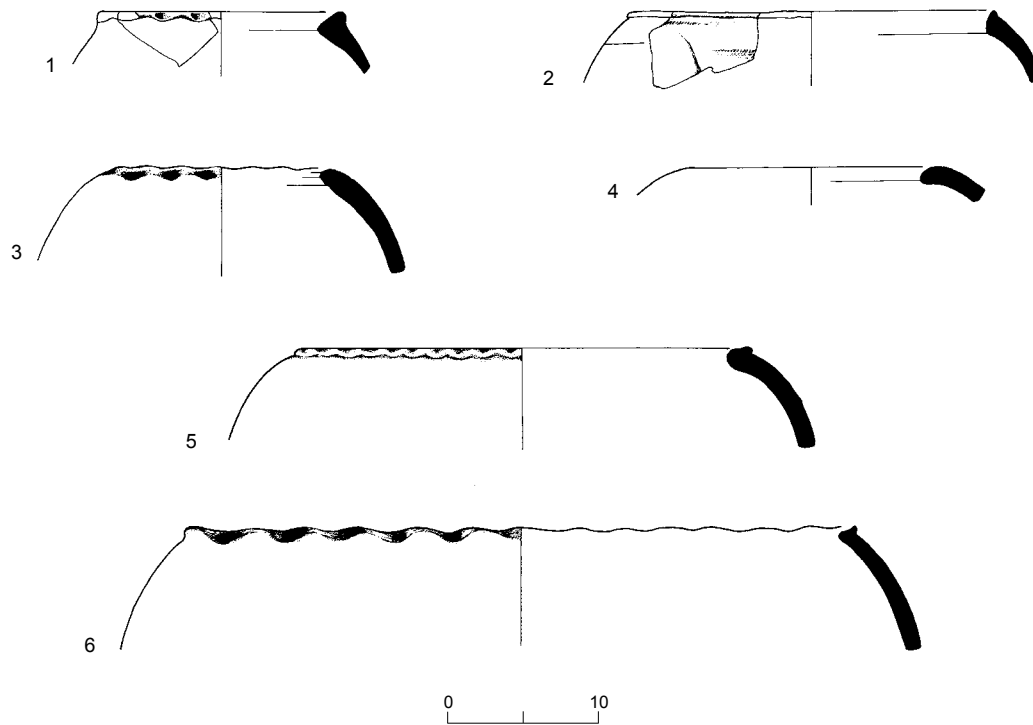


Fig. 1.5. Holemouth jar Types V–VIII.

Storage Jars (Table 1.5; Figs. 1.6, 1.7)

A total of 751 identifiable storage jars originated in secure loci of Strata IV–II, comprising 28.1% of the entire assemblage (see Table 1.2). Nine types of storage jars were defined, two divided into subtypes. Storage jars, like holemouth jars, also comprise a relatively stable proportion of the assemblage in each stratum (see Fig. 1.1).

Table 1.5. Storage Jars from All Excavated Areas According to Type and Stratum

Type Stratum	SJ Ia	SJ Ib	SJ II	SJ III	SJ IV	SJ Va	SJ Vb	SJ VI	SJ VII	SJ VIII	SJ IX	Total
IV	6		16	4	3	10	1	52	6	34		132
III	5	14	37	4	8	137	4	136	31	110		486
II	1		1	1	1	38	2	52	9	27	1	133
Total	12 (1.6%)	14 (1.9%)	54 (7.2%)	9 (1.2%)	12 (1.6%)	185 (24.6%)	7 (0.9%)	240 (32%)	46 (6.1%)	171 (22.7%)	1 (0.1%)	751 (100%)

SJ I: Large, Thick-Walled Storage Jars with a Sloping Neck (Fig. 1.6:1, 2)

Two subtypes of this type were defined: one with a sloping neck and a simple tapering rim, often with thumb indentations (Subtype SJ Ia; Fig. 1.6:1); the other of similar form with a thickened, sharply out-turned rim (Subtype SJ Ib; Fig. 1.6:2). Subtype SJ Ia was found in Strata IV–III, while Subtype SJ Ib was identified only in Stratum III. The single example

from Stratum II is probably residual. This jar type is uncommon (3.5% of the storage jars), comprising 4.5% in Stratum IV and 1% in Stratum III.

Both subtypes are known at EB IA sites: Subtype SJ Ia has parallels in Afridar Area E (Golani 2004: Fig. 27:1), and Subtype SJ Ib in Afridar Area E (Golani 2004: Fig. 27:2) and Area G (Braun and Gophna 2004: Fig. 19:1) and in Azor Stratum II (Golani and Brink 1999: Fig. 10:7). At Barne'a, they continue into EB IB (Stratum III). Two examples were petrographically sampled (see Chapter 2: Table 2.1: Nos. 30, 31): one was locally made, the other was imported from the north, indicating that despite their large size and weight, some of these vessels were transported from other regions.

SJ II: Large, Thick-Walled Storage Jars with Sloping Shoulders, a Vertical Neck and an Out-Turned Rim with Thumb Indentations (Fig. 1.6:3, 4)

Type SJ II (7.2% of the storage jars) is the most common storage jar in Stratum IV (12.1%), declining to 7.6% in Stratum III; the single example from Stratum II is probably residual.

This form is common in southwestern Canaan during EB IA, as in Afridar Area F Stratum I (Khalaily 2004: Fig. 8:1, 2), Area G (Braun and Gophna 2004: Fig. 19:9–13), Areas J1 and J2 Strata 6–5 (Baumgarten 2004: Figs. 9:10, 11; 10:7; 16:3) and Area M Strata I–II (Golani 2008: Figs. 9:10; 10:1–3), and in Taur Ikhbeineh Phases III–V (Oren and Yekutieli 1992: Figs. 11:3; 12:14), Nizzanim Stratum 4 (Yekutieli and Gophna 1994: Fig. 11:5) and Azor Stratum I (Golani and Brink 1999: Fig. 5:5). At Barne'a, this type continues into EB IB. Petrographic analysis of two examples (see Chapter 2: Table 2.1: Nos. 32, 33) indicate that, like Storage Jar Type SJ I, some of these vessels were apparently transported from other regions despite their large size and weight.

SJ III: Large Storage Jars with a High Vertical Neck and Thumb Indentations on Rim (Fig. 1.6:5)

Similar in form to Type SJ II, but with a high vertical neck and a sloping shoulder. Type SJ III is uncommon (1.2% of all the storage jars), and the very small amounts do not enable precise association to the early or late phase of EB I.

Parallels are found only in EB IA contexts, as in Afridar Area E (Golani 2004: Fig. 27:3, 5; mistakenly classified as Type SJ II), Area F Stratum II (Khalaily 2004: Fig. 15:1), Area G (Braun and Gophna 2004: Fig. 19:4), Area J1 Stratum 6 (Baumgarten 2004: Fig. 15:5) and Area M Stratum II (Golani 2008: Fig. 10:6), and at Site H (Upper Level) in the Besor region (Macdonald 1932: Pl. 40:67). Petrographic analysis of a single example of this type (see Chapter 2: Table 2.1: No. 34) indicates that it was imported to the site.

SJ IV: Large to Medium-Sized Storage Jars with Sloping Shoulders, a Vertical Neck and a Rounded, Out-Turned, Sharply Folded-Over Rim (Fig. 1.7:1)

Similar to Type SJ II, but often slightly smaller in size and of less coarse fabric; some rims decorated with thumb indentations (Fig. 1.33:7). Type SJ IV is uncommon (1.6% of all the storage jars), appearing primarily in Strata IV–III, indicating a continuation into EB IB; the only example from Stratum II is probably residual. Like Storage Jar Types SJ II and III, it is associated with EB IA, as in Afridar Area F Stratum I (Khalaily 2004: Fig. 9:1).

SJ V: Medium-Sized to Small Storage Jars with Sloping Shoulders, a Short Vertical Neck and an Out-Turned, Folded-Over Rim (Fig. 1.7:2, 3)

Thick, folded-over rim, distinctive, well-levigated, brown-gray fabric. An uncommon subtype (SJ Vb; Figs. 1.7:3; 1.25:10; 1.33:10) has a shallow gutter below or on the rim. This is one of the most common storage jars at Barne‘a (25.5% of the storage jars), appearing in all strata: 8.3% in Strata IV, 29% in Stratum III and 30% in Stratum II, indicating its initial appearance at the end of EB IA, becoming much more frequent in EB IB. The vast majority of the examples (97.4%) were recovered in Area D (see Appendix 1.1: Table 1.30).

This form is associated with EB IA sites such as Afridar Area F Stratum I (Khalaily 2004: Fig. 9:2) and Taur Ikhbeineh Phase IV (Oren and Yekutieli 1992: Fig. 11:6), and with EB IB sites such as Tel ‘Erani Layer C (Yekutieli 2000: Fig. 8.7:4) and Tel Ḥalif Terrace Silo Site Strata II–I (Alon and Yekutieli 1995: Figs. 15:5; 22:6). No examples were submitted for petrographic analysis, but the fabric appears to be of local origin.

SJ VI: Medium-Sized to Small, Bag-Shaped Storage Jars with Sloping Shoulders and Neck, and a Plain Tapering Rim (Fig. 1.7:4, 5)

The neck of these vessels is usually sloping or vertical; some complete or nearly complete examples exhibit two loop handles on the sloping shoulder (Figs. 1.7:5; 1.12:3; 1.25:15); a few bear traces of red wash on their exterior, some of which are also burnished (Figs. 1.12:2, 3; 1.25:12, 14, 15; 1.26:1, 2). This is the most common form of storage jar (32% of all the storage jars), appearing throughout Strata IV–II (39.4%, 28%, 39% respectively). However, as most rim fragments of this form are very simple, the count may include rims of other forms.

Type SJ VI appears to be characteristic of the end of EB IA, based on parallels from sites such as Afridar Area F Stratum I (Khalaily 2004: Fig. 10:1) and Area J2 Strata 5–4 (Baumgarten 2004: Figs. 10:5, 10; 11:8), Nizzanim Stratum 4 (Yekutieli and Gophna 1994: Fig. 11:1), Tel Ḥalif Terrace Silo Site Strata IV–III (Alon and Yekutieli 1995: Figs. 23:7; 24:13) and Site H in the Besor region (Roshwalb 1981: Fig. H.7:1). At Barne‘a, however, this form continues throughout EB I. Petrographic analysis of one example indicates that it was imported (see Chapter 2: Table 2.1: No. 35).

SJ VII: Medium-Sized to Small Storage Jars with Sloping Shoulders and a Slightly Out-Turned Rim (Fig 1.7:6–8)

This form (6.1% of the storage jars) comprises 4.5% of the storage jars in Stratum IV, 6.4% in Stratum III and 6.7% in Stratum II. However, as all the Stratum II examples originated in Area D (see Appendix 1.1: Table 1.30), they may be residual.

This general form is found at EB IA sites, such as Afridar Area F Stratum I (Khalaily 2004: Fig. 9:5, 7, 13, 15–17), Area J2 Stratum 4 (Baumgarten 2004: Fig. 11:7) and Area M Stratum II (Golani 2008: Fig. 10:7), and Taur Ikhbeineh Phases II–V (Oren and Yekutieli 1992: Figs. 9:8; 11:6, 11; 12:8; 13:11), Nizzanim Strata 4–5 (Yekutieli and Gophna 1994: Figs. 11:2, 3; 12:1, 3) and Azor Strata I–II (Golani and Brink 1999: Figs. 5:8, 17; 10:9–13). At Barne‘a, this type continues into the beginning of EB IB.

SJ VIII: Large to Medium-Sized Storage Jars with Sloping Shoulders and a Sharply Out-Flaring Rim (Fig. 1.7:9)

Many of these jars bear a white wash on their exterior (Fig. 1.27:3, 6), others have a red wash (Figs. 1.12:4, 12; 1.27:4; 1.33:13) and burnish (Fig. 1.12:15). Type SJ VIII jars (22.7% of the storage jars) comprise 25.7% in Stratum IV, 22.6% in Stratum III and 20.3% in Stratum II. Diagonal incisions around the neck (Figs. 1.7:9; 1.12:14; 1.27:1, 4), resembling a rope decoration, were found in Strata IV and III, while applied rope decoration appears only in Stratum III (Fig. 1.27:6).

This is a common form at sites of late EB IA, such as Tel Ḥalif Terrace Strata XVIII–XVII (Dessel 2009: Pl. 4:5, 10). Incised diagonal lines on the neck are also common on storage jars in EB IB, as in Afridar Area J2 Stratum 1 (Baumgarten 2004: Fig. 14:2), the Tel Ḥalif Terrace ‘Silo Site’ Stratum II (Alon and Yekutieli 1995: Fig. 18:4–6) and Hartuv (Mazar and Miroschedji 1996: Fig. 18:14–17, 21), and this decoration is a distinguishing feature of Tel ‘Erani C horizon, associated with early EB IB (Gophna 2002: Fig. 3:1; see also Kempinski and Gilead 1991: Fig. 12:15–18). One petrographic analysis of this type indicates that it was imported (see Chapter 2: Table 2.1: No. 36).

SJ IX: Rolled-Rim Storage Jar (Fig. 1.7:10)

A single sherd was found of a large storage-jar type well known at northern EB IB sites such as Qiryat Ata (Golani 2003:108, Fig. 4.13:15). The rim originated in Stratum II and is decorated with a series of closely placed thumb indentations (Fig. 1.33:15). Petrographic analysis determined that this vessel was imported (see Chapter 2: Table 2.1: No. 37).

Storage Jars: Summary

The repertoire of storage-jar forms from Barne‘a is typical of EB I in southwestern Canaan. Storage Jar Types SJ I–SJ IV and SJ VII are associated with Strata IV–III and can be regarded as characteristic of those strata. At other sites, these types are generally associated with EB IA, while at Barne‘a they apparently continue into early EB IB as well. The few examples from Stratum II contexts (Fig. 1.33:6, 7) are probably residual. At Barne‘a, Type SJ VI is the most common form of storage jar and appears in Strata IV–II. Type SJ V, the second-most common storage jar type, begins in Stratum IV and becomes popular in Strata III–II. Type SJ VIII, the third-most common type at Barne‘a, also appear in all the strata, and often has a distinctive white wash. Incised diagonal lines on many examples of Type VIII are usually associated with the ‘Erani C horizon of early EB IB; however, at Barne‘a, examples with incised decoration were also recovered in contexts of Stratum IV, suggesting that this typical feature of the ‘Erani C horizon may have begun earlier, in late EB IA.

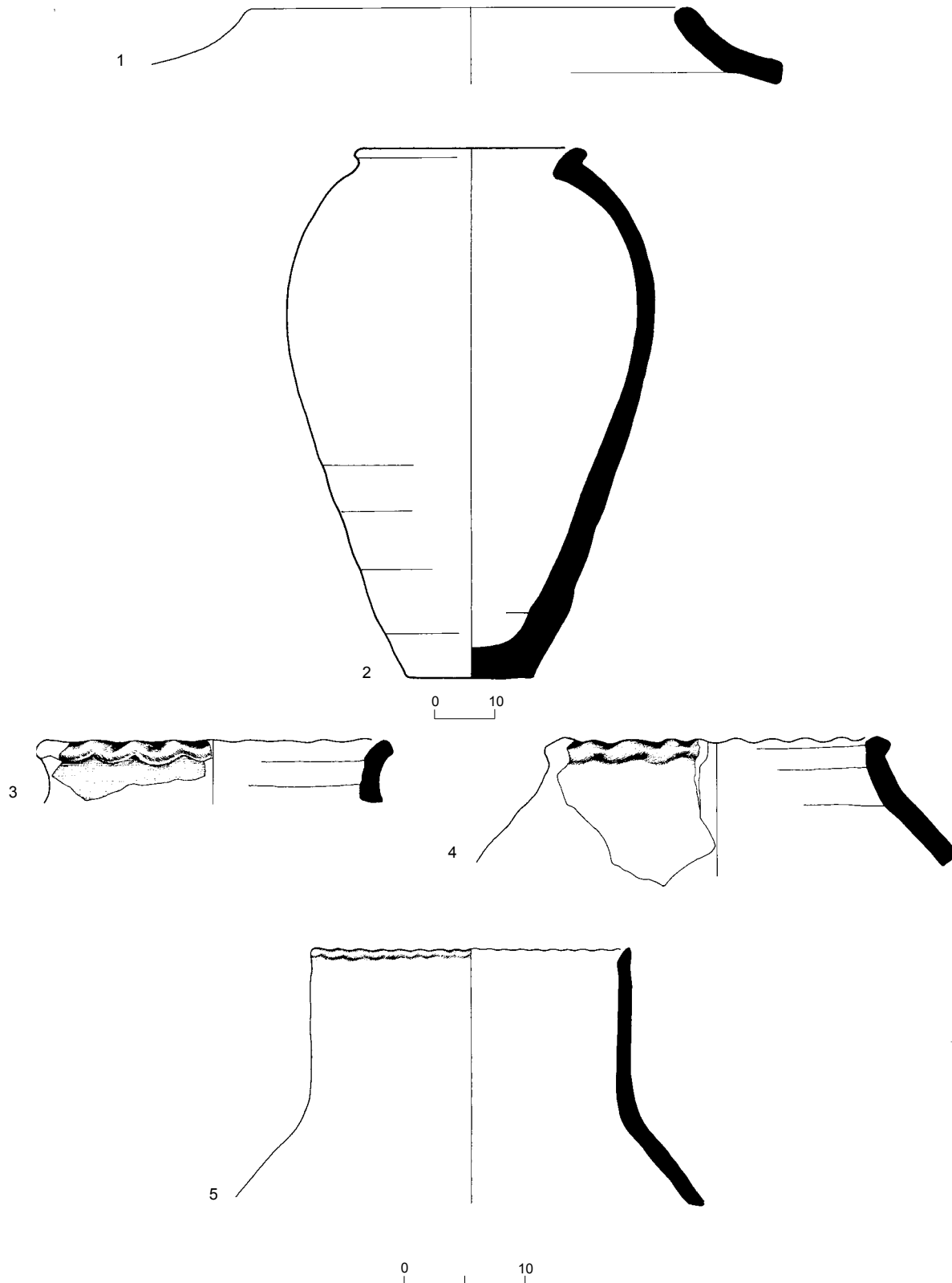


Fig. 1.6. Storage jar Types I–III.

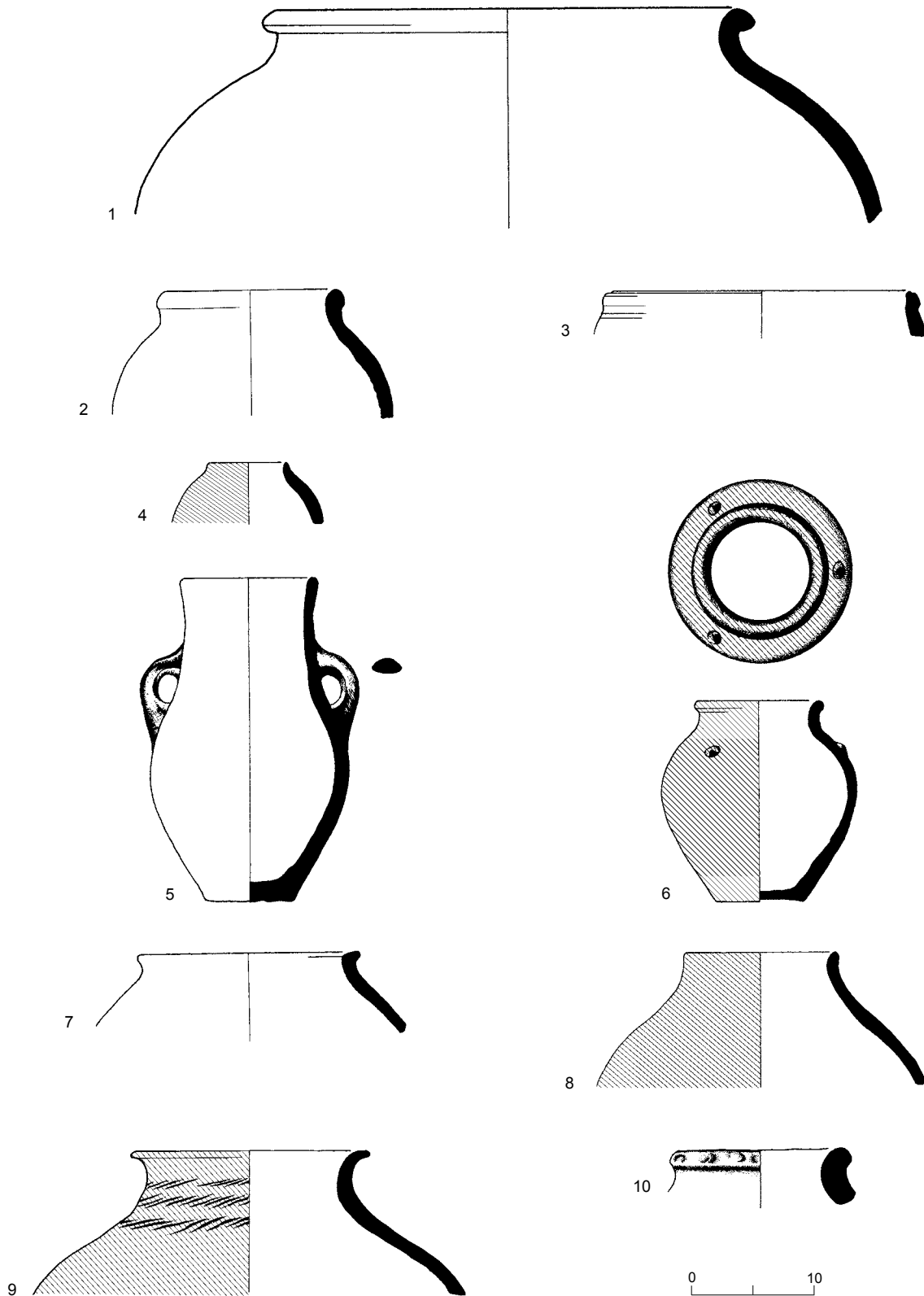


Fig. 1.7. Storage jar Types IV–IX.

Juglets and Jugs (Table 1.6; Fig. 1.8:1–4)

A total of 71 identifiable juglets and jugs originated in secure loci of Strata IV–II, comprising 2.7% of the entire assemblage (Table 1.2) and a very small proportion of each stratum (see Fig. 1.1). Their sharp increase in Stratum II stems from the concentration of vessels found in Pits 1327 and 1328 in Area D (Golani 2019b: Figs. 3.140, 3.141). Due to the small size of the rim fragments, it was not always possible to accurately differentiate between jug and juglet rims, and only in a very few cases could larger-sized vessels be identified, often with one handle (e.g., Figs. 1.29:11; 1.35:1, 2). The juglets and jugs are generally bag-shaped, with sloping shoulders and a simple, out-turned or vertical rim; most have a rounded base (Figs. 1.13:1; 1.29:2–5; 1.34:3, 5), while some have a flat (e.g., Fig. 1.35:1) or pointed base (e.g., Fig. 1.34:2).

Small vessels with rounded or pointed bases, also termed ‘Egyptian style drop-shaped juglets’ or ‘drop-pots’ (Hamilton 1993) are considered examples of Egyptian ceramic traditions (Yekutieli 2000:137), although most examples appear to have been locally made.² They are typical of late EB IA–EB IB in southwestern Canaan, which corresponds with their discovery in Strata IV–II at Barne‘a. Similar vessels have been found in Afridar Area E (Golani 2004: Fig. 29:1–5), Area F Stratum I (Khalaily 2004: Fig. 10:8), Area J2 Strata 3–2 (Baumgarten 2004: Figs. 12:4; 13:4, 5) and Area M Strata II–I (Golani 2008: Fig. 9:14), and at Tel ‘Erani Layer C (Kempinski and Gilead 1991: Fig. 12:11–13), Taur Ikhbeineh Phases III–IV (Oren and Yekutieli 1992: Figs. 10:9, 10; 13:15–18), Site H in the Besor region (Roshwalb 1981: Fig. H.6:14; Gophna 1990: Fig. 3:6) and ‘En Besor (Gophna 1976: Fig. 6:11, 12).

Some of the juglets and jugs in Stratum III–II have spouts emanating diagonally from the shoulder (e.g., Fig. 1.29:10), similar to vessels from Tel ‘Erani Layer C (Kempinski and Gilead 1991: Fig. 12:14).

Special types include twin vessels from Stratum II, one with handles on each of the juglets (Fig. 1.34:8), the other with a spout (Fig. 1.34:9). Twin vessels are relatively uncommon, but are known in EB IB at Hartuv (Mazar and Miroschedji 1996: Fig. 17:30) and Qiryat Ata (Golani 2003: Fig. 4.14:7). Petrographic analysis determined that one of these vessels was locally produced, while the other was imported (see Chapter 2: Table 2.1: Nos. 39, 40 respectively). Another unique vessel, from Stratum II Pit 1327 of Area D, is larger, resembling a bottle (Fig. 1.34:7) with a high neck, and near the rim are four small plastic knobs.

Table 1.6. Juglets and Jugs from All Excavated Areas According to Type and Stratum

<i>Stratum</i> \ <i>Type</i>	<i>JT</i>	<i>JG</i>	<i>Total</i>
IV	12		12
III	26	1	27
II	28	4	32
<i>Total</i>	66 (93%)	5 (7%)	71 (100%)

² A similar juglet was found among the stones of W525 of Building K4 (Golani 2019b: Figs. 3.97, 3.98), containing many dentalium shells, and was probably a foundation deposit (see Chapter 11).

*Varia**Ledge Handles* (Table 1.7; Fig. 1.8:5–7)

Ledge handles are usually attached to holemouth and storage jars, less so to bowls. The ledge handles in the present assemblage are divided into three types.

LH I: Plain, Undecorated Ledge Handles (Fig. 1.8:5)

Reminiscent of the flattened, horizontal knobs applied to EB IA GBW bowls (see above). This type is relatively rare, appearing mainly in Stratum III (Fig. 1.28:1, 2).

Such ledge handles are found in southwestern Canaan from the end of EB IA and well into EB IB at sites such as Afridar Area E (Golani 2004: Fig. 29:8), Taur Ikhbeineh Phases II–III (Oren and Yekutieli 1992: Fig. 9:10), Tel Ḥalif Terrace ‘Silo Site’ Stratum II (Alon and Yekutieli 1995: Fig. 21:4) and Site H in the Besor region (Roshwalb 1981: Fig. H.7:11).

LH II: Ledge Handles with Shallow Thumb Indentations (Fig. 1.8:6)

This is a common type (32.9% of the ledge handles) appearing throughout Strata IV–II (Figs. 1.13:2, 3; 1.28:3–6, 8; 1.35:5). Thumb-indented ledge handles are common throughout EB I, as in Afridar Area F (Khalaily 2004: Fig. 17:1–4) and Area G (Braun and Gophna 2004: Fig. 22:5–12), Nizzanim Strata 3–5 (Yekutieli and Gophna 1994: Figs. 9:2, 3; 11:7, 8), Tel ‘Erani Layer C (Kempinski and Gilead 1991: Fig. 11:4), Taur Ikhbeineh Phases II–IV (Oren and Yekutieli 1992: Figs. 9:2, 9; 10:12) and Tel Ḥalif Terrace ‘Silo Site’ Strata III–I (Alon and Yekutieli 1995: Figs. 15:6; 18:10, 11; 22:1; 23:6, 9).

LH III: Ledge Handles with Uprturned and Folded-Over Edges and Deep Thumb Indentations (Fig. 1.8:7)

This type, also termed ‘enveloped’ ledge handles, is the most common (62.1% of the ledge handles), appearing throughout Strata IV–II (Fig. 1.13:4, 5; 1.28:7). They are common from the end of EB IA into EB IB at sites such as Afridar Area F (Khalaily 2004: Fig. 17:5), Nizzanim Stratum 3 (Yekutieli and Gophna 1994: Fig. 9:4, 6), Taur Ikhbeineh Phases II–V (Oren and Yekutieli 1992: Figs. 9:13; 11:1) and Tel Ḥalif Terrace ‘Silo Site’ Strata I–II (Alon and Yekutieli 1995: Figs. 15:7, 9; 18:17).

Table 1.7. Ledge Handles from All Excavated Areas According to Type and Stratum

Type \ Stratum	LH I	LH II	LH III	Total
IV		9	21	30
III	6	27	51	84
II	1	10	15	26
Total	7 (5%)	46 (33%)	87 (62%)	140 (100%)

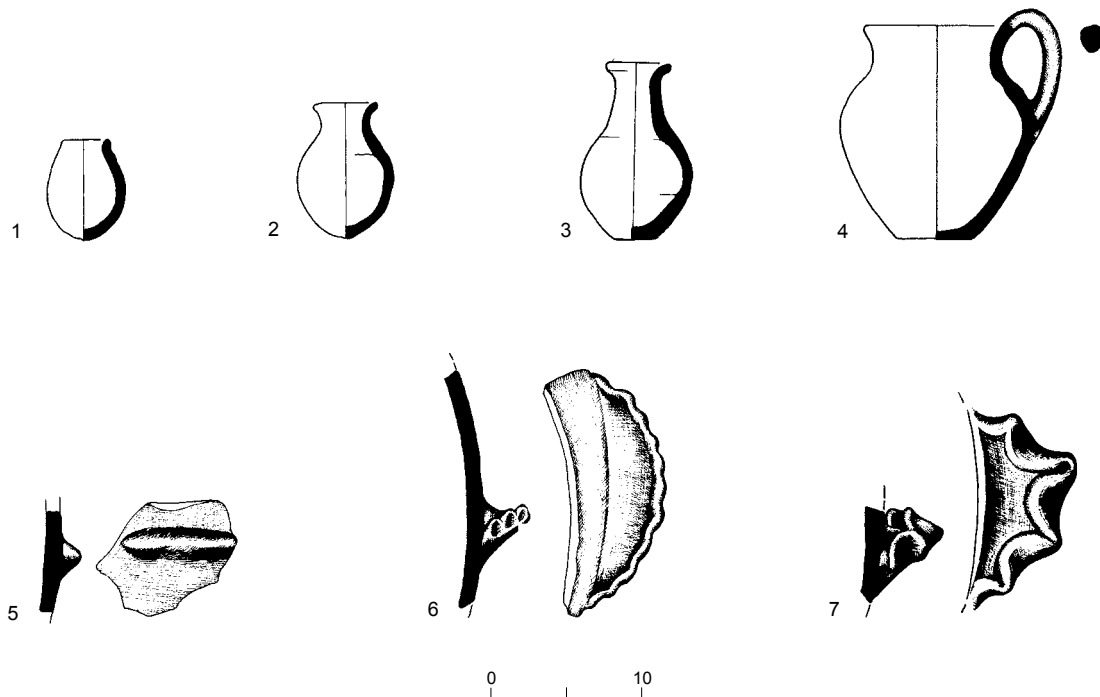


Fig. 1.8. Juglets, a jug and ledge handles.

Decorated Handles (Figs. 1.30:1–5, 14; 1.35:6, 7)

A variety of handles decorated with incisions or plastic decoration was recovered. At Barne‘a, incised decoration includes one or more lines along the length and/or width of the upper surface of the handle, executed while the clay was still in a plastic state (Figs. 1.30:1, 2, 14; 1.35:6, 7). Such decorated handles are common in southwestern Canaan at the end of EB IA and into EB IB, as in Afridar Area J2 Stratum 1 (Baumgarten 2004: Fig. 14:3), Taur Ikhbeineh Phases III–IV (Oren and Yekutieli 1992: Fig. 12:5), Tel ‘Erani Layer C (Yekutieli 2006: Fig. 4:12, 13) and Har‘tuv (Mazar and Miroschedji 1996: Figs. 18:22; 19:17, 19).

Another form of incised decoration, also common in southwestern Canaan at the same time, is short, horizontal or diagonal incisions producing a ‘herringbone’ pattern (Figs. 1.30:3, 4; 1.35:7). This feature, a *fossile directeur* of the ‘Erani C horizon, is known at Tel ‘Erani Layer C (Yekutieli 2006: Fig. 4:9, 14) and Har‘tuv (Mazar and Miroschedji 1996: Figs. 18:5, 7, 8; 19:18). It is often found integrated with the vertical and horizontal lines described above, as at Afridar (Gophna 2002: Fig. 4:1; Khalaily 2004: Fig. 17:9). At Barne‘a, handles with incised decoration were found only in Strata III–II.

Plastic decoration on handles includes a small clay coil around the upper portion of the handle (Fig. 1.30:5). It is also found at sites in southwestern Canaan, primarily during EB IB, as at Tel Ḥalif Terrace ‘Silo Site’ Stratum I (Alon and Yekutieli 1995: Fig. 17:8), Tel ‘Erani Layer C (Yekutieli 2006: Fig. 4:15) and Har‘tuv (Mazar and Miroschedji 1996: Fig. 18:6, 7). At Barne‘a, this decorative feature was also found only in Strata III–II.

Two Unique Vessels (Fig. 1.35:3, 4)

Two restored vessels among the collection of juglets and jugs from Stratum II Pit 1327 in Area D are of forms unknown in the typology. Both are small neckless pots resembling holemouth vessels, with two vertical pierced lug handles below the rim. One has a small, rounded base (Fig. 1.35:3), the other (Fig. 1.35:4) has a smaller, pointed base. The mouth of both vessels was distorted prior to firing.

Cornets (Figs. 1.13:6; 1.30:9, 10)

Ten cornet fragments originated in Strata IV ($n = 3$) and III ($n = 7$), consisting of the very distinctive base; rims of cornets may also have been recovered, but were probably counted as small bowls.

The cornet is usually regarded as a *fossile directeur* of the Late Chalcolithic Ghassulian culture in the southern Levant. However, cornet fragments within early EB IA contexts have been published from the excavations at Afridar, such as Area E (Golani 2004:30:1–2; 2018: Fig. 4:23–24), Area F Stratum II (Khalaily 2004: Fig. 13:1–4), Area G (Braun and Gophna 2004: Fig. 21:1), Area J1 and J2 Stratum 5 (Baumgarten 2004: Figs. 10:16; 16:6–7), Area M Stratum II (Golani 2008: Fig. 10:11–12) and Area O-2 (Golani and Pasternak 2020: Fig. 9:11, 12). None of these excavations has produced a clear, unequivocal Chalcolithic occupation. Cornets were also found in EB IA contexts at Tel Ḥalif Terrace Stratum XVIII, Phase 9A–B (Dessel 2009:105–106).

At Barne‘a, the cornet fragments appear in late EB IA and early EB IB contexts. Therefore, at both Afridar and Barne‘a, the cornet appears to have been a Chalcolithic holdover whose range extends well into EB I (see Golani 2013, 2022).

Sherds with Unusual Decoration (Fig. 1.30:11, 15; 1.35:9)

A unique sherd with a cap-like shape bearing external plastic decoration of flattened and indented clay bands that form a circle with a cross (Fig. 1.30:11) was found in Stratum III. This sherd has two exact parallels from Tel ‘Erani Layer C (Yekutieli 2006: Fig. 4:19, 20) that were interpreted as the ends of miniature churns. The churn, like the cornet, is a characteristic vessel of the Chalcolithic period that was not forgotten in EB I (Amiran 1985). The peculiar double lug handle in Fig. 1.35:8 may also belong to a churn.

Four sherds of special fabric, form and decoration were recovered, one from Stratum III (Fig. 1.30:15) and three from Stratum II (Fig. 1.35:9). They were made of well-levigated, light orange or cream-brown clay and coated on the exterior with a pale gray-green or cream-colored slip. They represent small, elongated vessels decorated with a wavy plastic band. Petrographic analysis (see Chapter 2: Table 2.1: Nos. 44, 45) determined that these fragments are Egyptian imports. Such vessels are defined as wavy-handled cylindrical jars (‘W-class’; Petrie 1921: Tables 28–30) that are associated with the Naqada IIIA period (Pumpenmeier 1998:21–25, Abb. 13, 14) and were also present at Tell el-Farkha, Phase 4 (Jucha 2008:67, Fig. 4:3).

DISCUSSION AND CONCLUSIONS

The ceramic assemblage from Ashqelon Barne'a, together with those from Ashqelon Afridar, now represent one of the largest collections of EB I pottery from a well-defined stratigraphic sequence in southwestern Canaan. The analysis of the Barne'a ceramic assemblage has enabled a reliable and empirical typological representation of three strata covering the time span from late EB IA to the end of EB IB (see Figs. 1.9–1.35), and a study of the ceramic variation over time (see Tables 1.1–1.6; Fig. 1.1) and between the different excavation areas (Table 1.2; Appendix 1.1). Finally, the Barne'a ceramic assemblage enables a more definitive relative dating of Barne'a within EB I in southwestern Canaan (see Chapter 13).

Characterization of the Ceramic Assemblage and Relative Chronology

The chronological framework of EB I in southwestern Canaan has been discussed in detail (Yekutieli 2000; Regev et al. 2012; Braun et al. 2013; Golani 2013, 2022) and a two-part division of EB IA (EB IA₁, EB IA₂) and of EB IB (EB IB₁, EB IB₂) has been proposed by Yekutieli, based on the morphological and technological character of ceramic assemblages from this region (Yekutieli 2000, 2001). This sequential framework provides a useful tool for discussion of EB I ceramic assemblages in southwestern Canaan. However, in the present work we have opted to use the comparative terms early and late EB IA and early and late EB IB.

The ceramic assemblage from Barne'a spans the late EB IA into the late EB IB (Strata IV–II). This attribution was established based on stratigraphy and architectural styles (see Golani 2019a) and is upheld by radiometric dating of short-lived carbonized seeds from each of the excavated strata (Boaretto 2019). The numerous ceramic vessel forms are all recognized as typical of this timespan (see above). Also within the assemblage are certain ceramic forms and technologies familiar from Late Chalcolithic contexts in southwestern Canaan (Types B Ia, B V, B VI, H I, H V, H VI, cornets, thumb-indented decoration). This is not unexpected, as previous research has established that in this region, ceramic cultural traditions were carried over from the Late Chalcolithic into EB I (Yekutieli 2000, 2001; Dessel 2009:105–106; Braun 2011:162–167, Figs. 12.1–5; Brink 2011:63, 67–68; Braun et al. 2013:30; Golani 2013:101–102; 2022).

Only small variations are seen between Strata IV, III and II, probably due in part to mixing caused by the mobility of small rim sherds between the three strata, together with the constructional activities and erosional processes involved in the growth of the site from Stratum IV to Stratum III and its subsequent contraction during Stratum II (see Golani 2019a). Recognition of these and other limitations is essential when attempting a ceramic characterization of the three main strata and the various areas at Barne'a.

Typological Characterization by Strata

The relative frequencies of vessel types within each stratum were determined (see Tables 1.3–1.6), enabling certain types to be defined as characteristic of each stratum, while smaller frequencies apparently represent the initial appearance of a type or its decline, or may be seen as residual.

Stratum IV (Late EB IA or EB IA–IB Transition) (Figs 1.9–1.13)

Nearly all the vessel types identified at Barne‘a are present in Stratum IV; the most common are Types B Ia, B VII, H I, H II, H VIII, SJ VI and SJ VIII. Bowl Types B II and B VI are two highly distinctive forms characteristic of late EB IA at other sites, but at Barne‘a continue into early EB IB. The decorative tradition of red wash (B VI) and red-burnishing (B II) has been attributed to a late phase of EB IA (Yekutieli 2000:131, EB IA₂); however, the present study shows that these surface treatments continue to appear in early EB IB (see below). Small numbers of Type B X (GBW), which is a well-known EB IA form in northern Canaan, appear in this stratum and continue into early EB IB at Barne‘a; some were imported and others were locally made. Holemouth Jar Types H IV, H VI and H VII and Storage Jar Types SJ I, SJ II, SJ III and SJ IV are late EB IA forms, most of which also continue into EB IB at Barne‘a.

Comparative parallels from other sites in southwestern Canaan for the ceramic types that predominant in Stratum IV demonstrate a relative chronological association with the late phase of EB IA and into EB IB.

Stratum III (Early–Mid EB IB) (Figs. 1.14–1.30)

Most of the vessel types that are common in Stratum IV, continue in Stratum III: Holemouth Jar Types H IV, H V and H VIII and Storage Jar Types SJ I–IV, which are generally considered diagnostic of EB IA, apparently continue into EB IB as well. Bowl Type B III appears to be slightly more common from Stratum III onward. Bowl Types B Ib, B VIII and B IX, Holemouth Jar Type H III and Storage Jar Type SJ Ib, first appear in Stratum III and are characteristic of early EB IB at Barne‘a and other sites. Petrographic analyses revealed that some of these types are northern imports.

The ceramic types common in Stratum III indicate a chronological association with the early phase of EB IB (EB IB₁) and are most closely paralleled by assemblages of the ‘Erani C cultural/chronological horizon (Yekutieli 2006) and from sites such as Tel Ḥalif ‘Silo Terrace Site’ Strata III–III and Har‘uv. Numerous decorative features are also associated with the ‘Erani C horizon, such as white wash on storage jars, diagonal incisions on storage-jar necks, and various incised handles. The predominant types in Stratum III bear morphological traits and decorative traditions common to both late EB IA and early EB IB.

Stratum III also reveals the earliest examples of imported Egyptian pre-dynastic pottery at Barne‘a, which also continues into Stratum II. These imported vessels can be associated with the Naqada IIIA period and constitute one of the earliest-known Egyptian ceramic imports to the southern Levant.

Stratum II (End of EB IB) (Figs. 1.31–1.35)

Holemouth Jar Type H II and Storage Jar Type SJ V continue from Strata IV and III and increase in frequency in Stratum II, as do several other forms that continue from Stratum III (Types B VII, H I–III, H VIII, SJ VI, SJ VIII). The diminished frequencies of Bowl Types B Ib and B II, Holemouth Jar Type H V and Storage Jar Types SJ I–J IV and SJ VII, suggest that these forms were in decline, or residual from earlier strata. Bowl Type B X, Holemouth Jar Types IVa and VII and cornets cease to appear. Nearly all the vessel types identified in Stratum II are associated with late EB IB assemblages at other sites.

Functional Variation among the Strata

Stratum III comprises 61.7% of the pottery assemblage (see Table 1.1), undoubtedly representing the most intensive occupation at the site. Strata IV and II comprise almost equal percentages (21% and 17.3% respectively). The percentages of each of the four main vessel categories in each stratum show little change (see Fig. 1.1). The frequency of bowls (open vessels intended for serving and consumption) comprises just under half the ceramic assemblage (Table 1.2). A slight but steady decline from Stratum IV to Stratum II is evident, possibly indicating reduced serving and consumption in the excavated areas. Closed vessels (holemouth jars, storage jars, juglets/jugs) comprise over half of the ceramic assemblage, and their frequency appears more stable over time than open vessels (see Fig. 1.1), suggesting that during Strata IV–II, households retained control over their production and storage;³ this is also attested by the increase and development of storage structures within domestic compounds during Strata IV–III (Golani 2019a: Table 4.5). As noted above, the increase in juglets/jugs in Stratum II is largely due to their concentration in Area D Pits 1327 and 1328 (Golani 2019b: Fig. 3.141), probably related to the nature of Area D, which is a deeply stratified, built-up area, where the architecture and other material-culture finds strongly suggest a public function (Golani 2019a:254–256).

Quantitative Variation among Areas

The size of the ceramic assemblage enabled a limited quantitative analysis of ceramic variation between the areas (see Table 1.1), and thus a better understanding of the nature of

³ Alongside their function in household storage, holemouth jars are also regarded as cooking vessels, indicating domestic activities; holemouth jars with rounded bottoms (not found in the Barne‘a assemblage) were identified as cooking vessels in EB II (Paz and Iserlis 2009). At Barne‘a, no clear identification of cooking vessels could be distinguished by either form (type) or fabric.

the activities that took place in the various excavated areas. Area D and the adjacent Area G produced the largest amounts of pottery, with Area D alone providing 57.4% of the entire ceramic assemblage, although it comprises only 20% of the total excavated area. This is a further indication of its special nature as a public zone throughout Strata IV–II. Area G, of mixed domestic and public nature, yielded 11.7% of the ceramics, perhaps as it was only occupied during Strata IV–III (Golani 2019a:255–256). In general, smaller amounts of ceramics were recovered in habitational and industrial areas. Further spatial analyses of pottery within structures (domestic, storage, public) and open areas such as compounds, was deemed infeasible due to the relatively small amounts in each unit.

Fig. 1.9 ►

No.	Type	Area	Stratum	Locus	Basket	Description
1	B Ia	M	IVB	7113	70245/1	Dark gray-brown fabric, gray-brown core, small white grits, red wash on exterior and interior, medium fired
2	B Ia	H	IV	3108	30262	Gray-brown fabric, dark gray core, small to medium white and gray grits, medium fired
3	B Ia	D	IV	1060	10367	Light brown fabric, light brown-gray core, small white and gray grits, well fired
4	B II	D	IV	1345	12316/1	Brown-orange fabric, gray core, small white grits, red slip on exterior and interior, vertical burnish on exterior, horizontal burnish on interior, well fired
5	B II	D	IV	1362	12339	Brown-orange fabric, gray core, small white and gray grits, red slip on exterior and interior, horizontal burnish on exterior, vertical burnish on interior, well fired
6	B III	H	IV	4147	40366/1	Light brown fabric, light gray core, small to medium white and gray grits, poorly fired
7	B III	M	IVB	7113	70245/2	Brown fabric, gray core, small white grits, medium fired
8	B III	D	IV	1306	12203	Brown fabric, gray-brown core, small white and gray grits, medium fired
9	B III	B	IV	326	2248	Light brown fabric, brown core, small white grits, knob below rim, well fired
10	B V	D	IV	1084	10398	Cream-colored fabric, cream-gray core, small white grits, well fired
11	B V	G	IV	1406	12301	Light gray-brown fabric, gray-brown core, small white and gray grits, red wash on exterior, medium fired
12	B VIa	H	IV	3098	30255	Brown fabric, brown-gray core, small white grits, thumb indentations on rim, well fired
13	B VIa	L	IV	6099	60196/1	Brown fabric, brown-gray core, small white and gray grits, thumb indentations on rim, medium fired
14	B VIa	G	IV	1434	8351	Light gray-brown fabric, gray-brown core, small white and gray grits, thumb indentations on rim, medium fired
15	B VIa	I	IV	2075	20169	Light brown fabric, light gray-brown core, small to medium white and gray grits, thumb indentations on rim, medium fired
16	B VIb	L	IV	6086	60178	Brown fabric, gray core, small to medium white and gray grits, thumb indentations on outer edge of rim, medium fired
17	B VIb	D	IV	1041	10316	Light brown-gray fabric, light brown-gray core, small white and gray grits, thumb indentations on outer edge of rim, medium fired

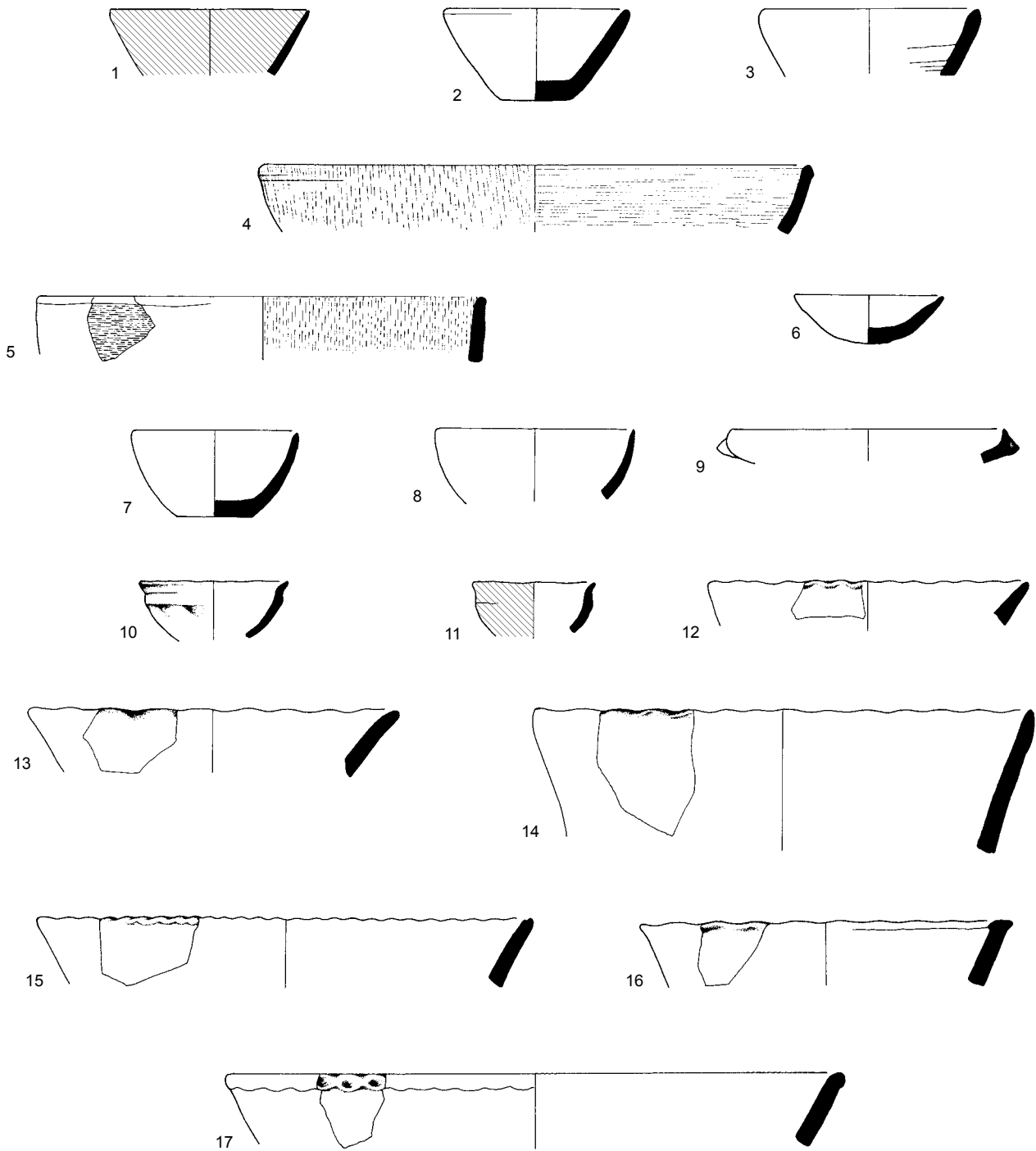


Fig. 1.9. Stratum IV: bowls.

Fig. 1.10 ►

<i>No.</i>	<i>Type</i>	<i>Area</i>	<i>Stratum</i>	<i>Locus</i>	<i>Basket</i>	<i>Description</i>
1	B VII	D	IV	1231	12064	Light brown fabric, light gray-brown core, small white and gray grits, red wash on exterior and interior, medium fired
2	B VII	D	IV	1126A	10483	Light brown fabric, light gray-brown core, small white and gray grits, red wash on exterior and interior, well fired
3	B VII	D	IV	1043	10345	Light brown fabric, light gray-brown core, small white and gray grits, red wash on exterior, medium fired
4	B VII	D	IV	1043	10323	Light brown fabric, light gray core, small white and gray grits, red wash on exterior and interior, horizontal burnishing on exterior and interior, well fired
5	B VII	D	IVA	1073	10383	Light brown fabric, light gray core, small white grits, red wash on exterior and interior, vertical burnishing on exterior, horizontal burnishing on interior, well fired
6	B X	B	IV	272	2153	Gray-brown fabric, gray-brown core, small white grits, burnished on exterior, medium fired
7	B X	G	IV	991	8300	Gray fabric, gray core, small white grits, well fired, horizontal burnishing on exterior
8	B X	H	Pre-IV	3106	30257	Gray fabric, gray core, small white grits, burnished on exterior, medium fired
9	H I	B	IV	218	2035	Dark brown fabric, brown-gray core, small to medium white and gray grits, well fired
10	H I	H	IV	3124	30288	Brown fabric, brown-gray core, small to medium white and gray grits, medium fired
11	H II	B	IV	310	2224	Orange-brown fabric, gray core, small to medium white and gray grits, medium fired
12	H IVb	M	IV	7149	70341/1	Brown-red fabric, brown-red core, small to medium white and gray grits, applied rope decoration below rim, well fired
13	H IVb	G	IV	959	8242	Light brown fabric, brown-gray core, small white and gray grits, applied rope decoration below rim, well fired

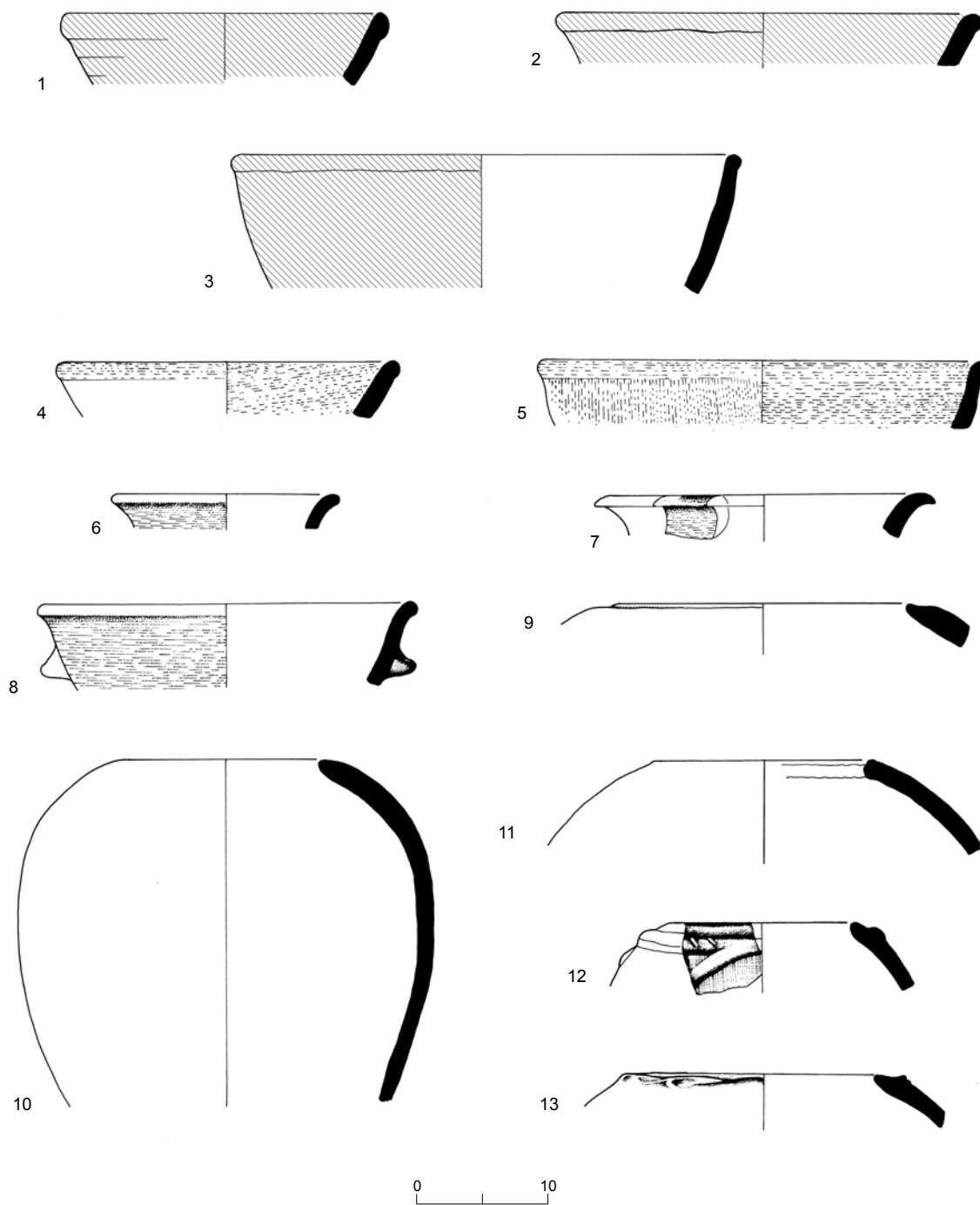


Fig. 1.10. Stratum IV: bowls and holemouth jars.

Fig. 1.11 ►

<i>No.</i>	<i>Type</i>	<i>Area</i>	<i>Stratum</i>	<i>Locus</i>	<i>Basket</i>	<i>Description</i>
1	H V	G	IV	869	8201/1	Light brown fabric, brown-gray core, small white grits, thumb indentations on rim, well fired
2	H V	D	IV	1362	12342/1	Brown fabric, brown-gray core, small white grits, red wash on exterior, thumb indentations on rim, medium fired
3	H V	G	IV	869	8201/2	Light brown fabric, brown-gray core, small white and gray grits, thumb indentations on rim, well fired
4	H VI	M	IVA	7076	70143	Brown fabric, brown-gray core, small to medium white and gray grits, scalloped decoration on rim, medium fired
5	H VIII	D	IV	1040	10312	Brown fabric, dark gray core, small to medium white and gray grits, scalloped decoration on rim, well fired
6	H VIII	M	IV	7148	70340/1	Brown fabric, dark-gray core, small white and gray grits, scalloped decoration on rim, well fired
7	SJ II	M	IV	7082	70179	Brown fabric, dark gray core, small to medium white and gray grits, thumb indentations on rim, medium fired
8	SJ II	D	IV	1250	12098	Light brown fabric, gray core, small to medium white and gray grits, red wash on exterior, thumb indentations on rim, medium fired
9	SJ III	M	IV	7044	70090	Brown fabric, gray core, small to medium white and gray grits, thumb indentations on rim, medium fired
10	SJ IV	D	IV	543	5502	Light brown fabric, dark gray core, small to medium white and gray grits, medium fired
11	SJ IV	D	IV	1345	12362	Brown fabric, dark gray core, small to medium white and gray grits, medium fired

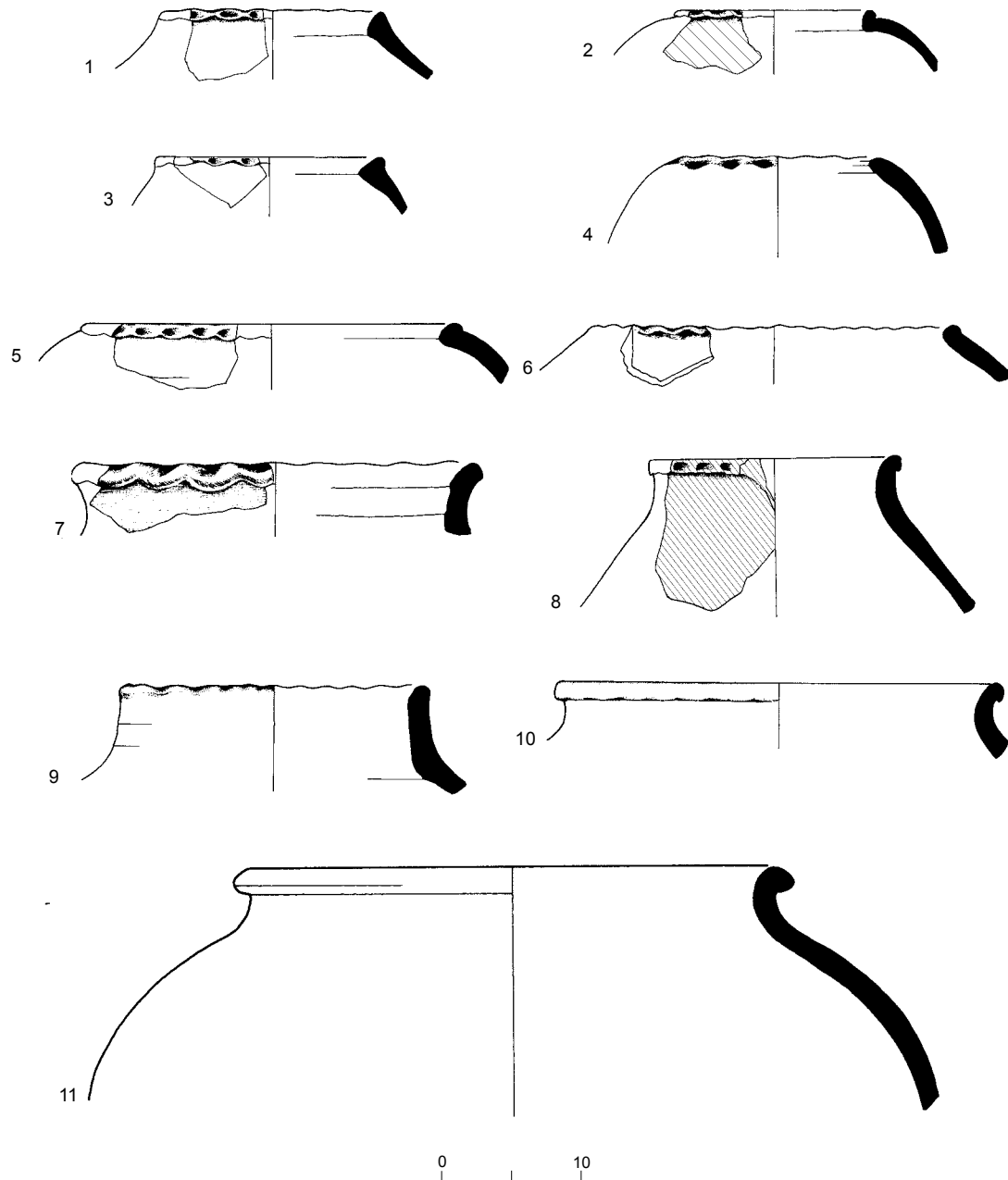


Fig. 1.11. Stratum IV: holemouth jars and storage jars.

Fig. 1.12 ►

<i>No.</i>	<i>Type</i>	<i>Area</i>	<i>Stratum</i>	<i>Locus</i>	<i>Basket</i>	<i>Description</i>
1	SJ VI	M	IV	7026	70061	Brown-red fabric, dark gray core, small white grits, well fired
2	SJ VI	M	IV	7083	70182	Light brown fabric, light gray core, small white and gray grits, red wash on exterior and interior, medium fired
3	SJ VI	D	IV	1345	12321	Light brown fabric, brown-gray core, small white and gray grits, red wash on exterior, medium fired
4	SJ VII	D	IV	1345	12361	Light brown fabric, gray core, small white and gray grits, small applied knobs around circumference, red wash on exterior, medium fired
5	SJ VII	D	IV	1335	12288	Brown fabric, brown-gray core, small white and gray grits, medium fired
6	SJ VII	L	IV	6099	60196/2	Light brown fabric, light brown-gray core, small white and gray grits, medium fired
7	SJ VII	M	IV	7149	70341/2	Dark brown-gray fabric, brown-gray core, small white grits, well fired
8	SJ VIII	G	IV	869	8109	Dark brown-gray fabric, brown-gray core, small white grits, medium fired
9	SJ VIII	G	IV	869	8201/3	Dark brown-gray fabric, brown-gray core, small white grits, medium fired
10	SJ VIII	G	IV	869	8097	Dark brown-gray fabric, brown-gray core, small white grits, medium fired
11	SJ VIII	M	IV	7148	70340/2	Light brown fabric, light gray-brown core, small white grits, well fired
12	SJ VIII	D	IV	1041	10318	Light cream-brown fabric, light gray-brown core, small white grits, red wash on exterior, well fired
13	SJ VIII	D	IV	1345	12316/2	Light brown fabric, light gray-brown core, small white grits, medium fired
14	SJ VIII	D	IV	1043	10354	Light brown fabric, light gray-brown core, small to medium white and gray grits, diagonal incisions on shoulder, well fired
15	SJ VIII	D	IV	1362	12342/2	Brown fabric, light gray core, small white and gray grits, horizontal burnish on exterior, well fired
16	SJ VIII	D	IV	1298	12276	Light brown fabric, light brown-gray core, small to medium white and gray grits, well fired

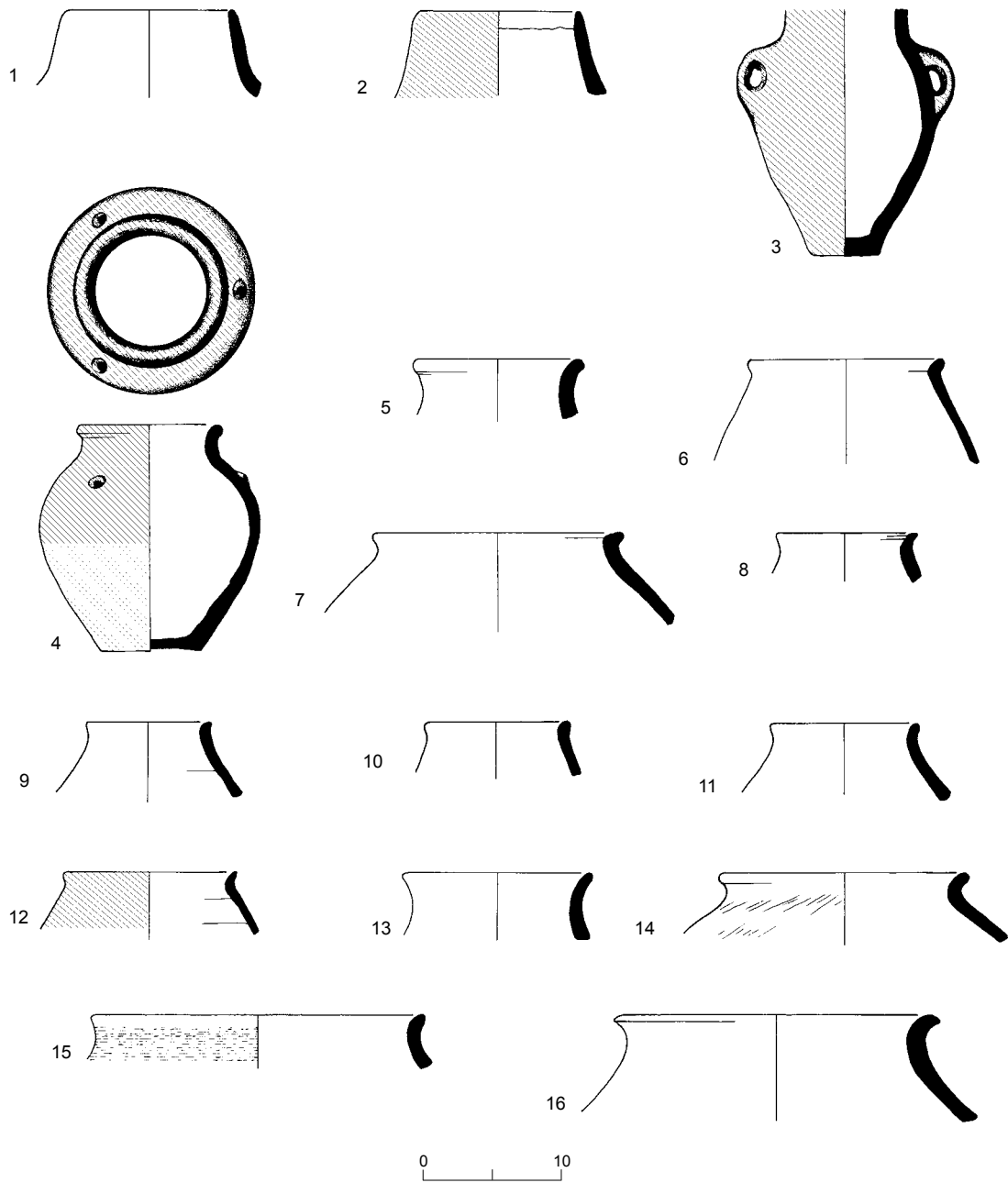


Fig. 1.12. Stratum IV: storage jars.

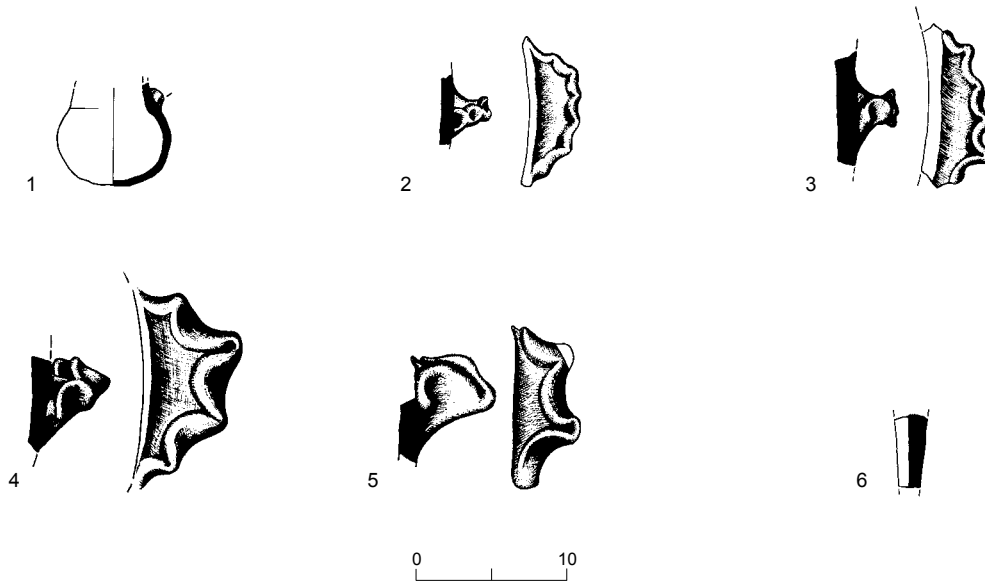


Fig. 1.13. Stratum IV: juglet, ledge handles and cornet.

No.	Type	Area	Stratum	Locus	Basket	Description
1	JT	G	IV	1430	8438	Light brown fabric, light brown core, small white grits, medium fired
2	LH II	H	IV(?)	4057	40136	Light brown fabric, light gray core, small white and gray grits, medium fired
3	LH II	H	IV	4147	40366/2	Brown fabric, brown-gray core, small to medium white and gray grits, medium fired
4	LH III	G	IV	1430	8341	Light brown fabric, dark gray core, small to medium white grits, medium fired
5	LH III	D	IV	1035	10303	Light brown fabric, gray-black core, small white and gray grits, red wash, medium fired
6	CT	H	IV	4057	40158	Light brown fabric, gray core, small white and gray grits, medium fired

Fig. 1.14 ►

No.	Type	Area	Stratum	Locus	Basket	Description
1	B Ia	K	IIIA	5179	50463	Gray-brown fabric, gray-brown core, small white grits, medium fired
2	B Ia	D	IIIA	1086	10405/1	Brown-orange fabric, gray-brown core, small to medium white and gray grits, red wash on exterior, medium fired
3	B Ia	H	IIIA	4063	40159/1	Gray-brown fabric, gray core, small white grits, well fired
4	B Ia	D	IIIA	1012	5250	Brown-orange fabric, light gray core, small white grits, medium fired
5	B Ia	H1	IIIA	4027	40066	Light brown fabric, light brown core, small white and gray grits, medium fired
6	B Ia	D	IIIB	1123	10499	Light brown fabric, light gray core, small to medium white and gray grits, red wash on exterior and interior, medium fired
7	B Ia	D	IIIA	1096	10405	Gray-brown fabric, gray core, small to medium white grits, well fired
8	B Ia	D	IIIB	1099	10429/1	Light brown fabric, light gray core, small to medium white and gray grits, well fired
9	B Ia	H	IIIB	153	1096/1	Light brown fabric, light gray core, small white and gray grits, red wash on exterior and interior, medium fired
10	B Ia	G	IIIB	916	8171	Light brown fabric, dark gray core, small to medium white and gray grits, red wash on exterior and interior, medium fired
11	B Ib	D	IIIA	1281	12170	Orange-brown fabric, gray-orange core, small to medium white grits, medium fired
12	B Ib	D	IIIB	1128	10491	Light brown fabric, light gray core, small to medium white grits, well fired
13	B Ib	A	III	148	1084	Light gray-brown fabric, light gray core, small to medium white and gray grits, applied rope decoration on exterior, well fired
14	B II	I	III	2129	20252	Brown fabric, gray-brown core, small white grits, red slip on exterior and interior, horizontal burnish on exterior, diagonal burnish on interior, medium fired
15	B II	H	IIIA	4103	40263	Brown fabric, gray-brown core, small white and gray grits, red slip on exterior and interior, horizontal and diagonal burnish on exterior, horizontal burnish on interior, medium fired

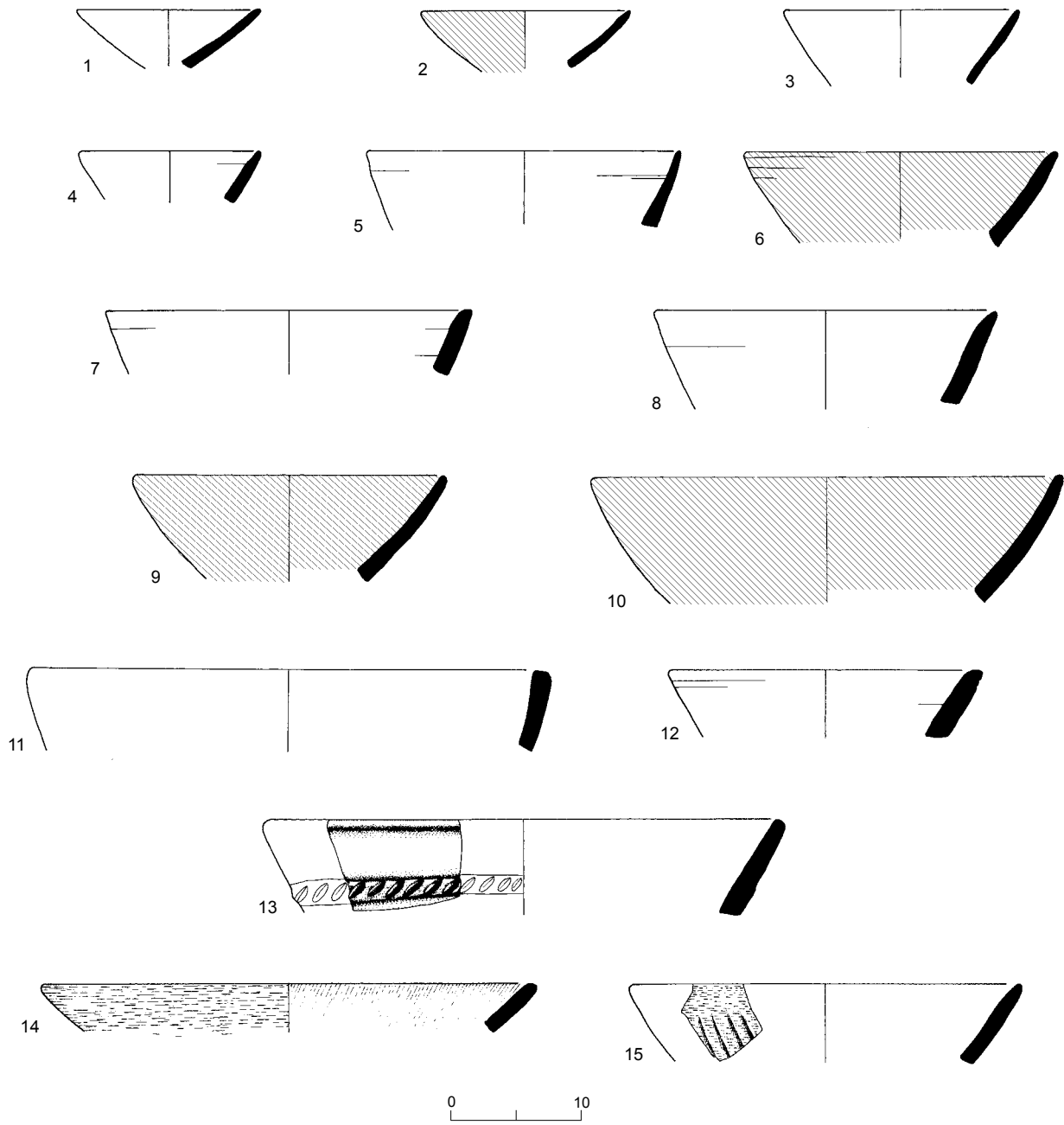
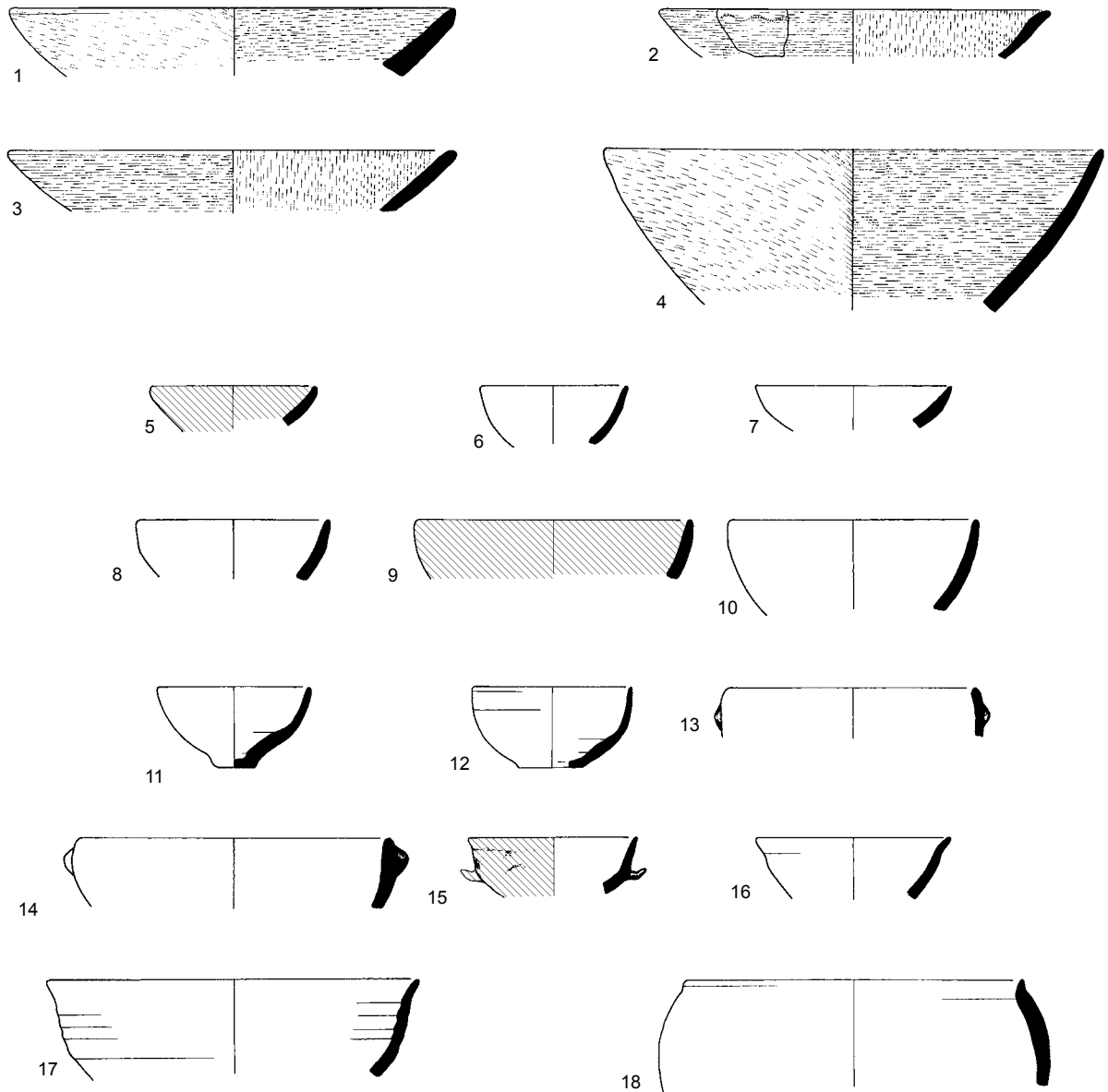


Fig. 1.14. Stratum III: bowls.

Fig. 1.15 ►

No.	Type	Area	Stratum	Locus	Basket	Description
1	B II	D	IIIB	1140	10515	Brown fabric, gray-brown core, small white grits, red slip on exterior and interior, horizontal and diagonal burnish on exterior, horizontal burnish on interior, well fired
2	B II	M	IIIA	7018	70044	Brown fabric, gray-brown core, small white and gray grits, red slip on exterior and interior, horizontal burnish on exterior, vertical burnish on interior, medium fired
3	B II	D	IIIA	1139	10510	Brown-orange fabric, brown-gray core, small white and gray grits, red slip on exterior and interior, horizontal burnish on exterior, vertical burnish on interior, medium fired
4	B II	H	IIIA	140	1076	Brown-orange fabric, gray core, small white and gray grits, red slip on exterior and interior, diagonal burnish on exterior, horizontal burnish on interior, medium fired
5	B III	D	IIIA	1258	12116	Brown fabric, gray-brown core, small white grits, red wash on exterior and interior, medium fired
6	B III	M	IIIB	235	2072	Brown fabric, gray-brown core, small white grits, medium fired
7	B III	L	III	6026	60078	Cream-colored fabric, cream-gray core, small white, gray and red grits, medium fired
8	B III	L	III	6026	60073	Light brown fabric, light brown core, small white and gray grits, poorly fired
9	B III	M	IIIB	7025	70079/1	Cream-colored fabric, cream-gray core, small to medium white and gray grits, red wash on exterior and interior, poorly fired
10	B III	K	III	5045	50067	Brown fabric, gray core, small white grits, well fired
11	B III	D	IIIB	1237	12088	Light brown fabric, light-brown core, small white and gray grits, medium fired
12	B III	D	IIIB	1357	12363/1	Light brown fabric, light brown core, small white and gray grits, medium fired
13	B III	D	IIIB	1128	10473	Cream-colored fabric, cream-gray core, small white and gray grits, plastic knob below rim, well fired
14	B III	D	IIIB	1239	12072	Brown-gray fabric, brown-gray core, small white grits, plastic knob below rim, well fired
15	B V	D	IIIA	1217	12036	Light gray fabric, gray core, small white and gray grits, applied handles below rim, red wash on exterior, well fired
16	B V	H	IIIA	4078	40188	Light brown fabric, gray core, small white and gray grits, medium fired
17	B V	D	IIIB	1101	10430/1	Light brown fabric, gray core, small white and gray grits, well fired
18	B V	H	IIIA	140	1086/1	Light cream-brown clay, cream-gray core, small white and gray grits, well fired



0 10

Fig. 1.15. Stratum III: bowls.

Fig. 1.16 ►

<i>No.</i>	<i>Type</i>	<i>Area</i>	<i>Stratum</i>	<i>Locus</i>	<i>Basket</i>	<i>Description</i>
1	B VIa	G	IIIA	929	8182	Brown fabric, gray core, small to medium white and gray grits, thumb indentations on rim, medium fired
2	B VIa	D	IIIB	1101	10448	Brown fabric, dark gray core, small to medium white and gray grits, red wash on exterior and interior, thumb indentations on rim, medium fired
3	B VIa	D	IIIA	1086	10401	Light brown fabric, gray core, small to medium white and gray grits, thumb indentations on rim, medium fired
4	B VIa	D	IIIB	1101	10434	Brown fabric, dark gray core, small to medium white and gray grits, red wash on exterior and interior, thumb indentations on rim, medium fired
5	B VIb	D	IIIB	1027	10314	Light brown fabric, gray core, small to medium white and gray grits, thumb indentations on outer edge of rim, medium fired
6	B VIb	M	IIIB	7138	70296	Cream-brown fabric, gray core, small to medium white and gray grits, thumb indentations on outer edge of rim, poorly fired
7	B VIb	M	IIIB	7098	70232	Light brown fabric, gray core, small to medium white and gray grits, thumb indentations on outer edge of rim, well fired
8	B VIb	M	IIIA	7018	70035	Brown fabric, gray core, small white grits, red wash on exterior and interior, thumb indentations on outer edge of rim, medium fired
9	B VIb	H	IIIB	153	1096/2	Light brown fabric, light gray core, small white and gray grits, thumb indentations on outer edge of rim, well fired
10	B VIb	D	IIIA	591	5216	Light brown fabric, light gray core, small white and gray grits, thumb indentations on outer edge of rim, well fired
11	B VIb	M	IIIA	7020	70054	Brown fabric, brown core, small white and gray grits, red wash on exterior and interior, thumb indentations on outer edge of rim, poorly fired

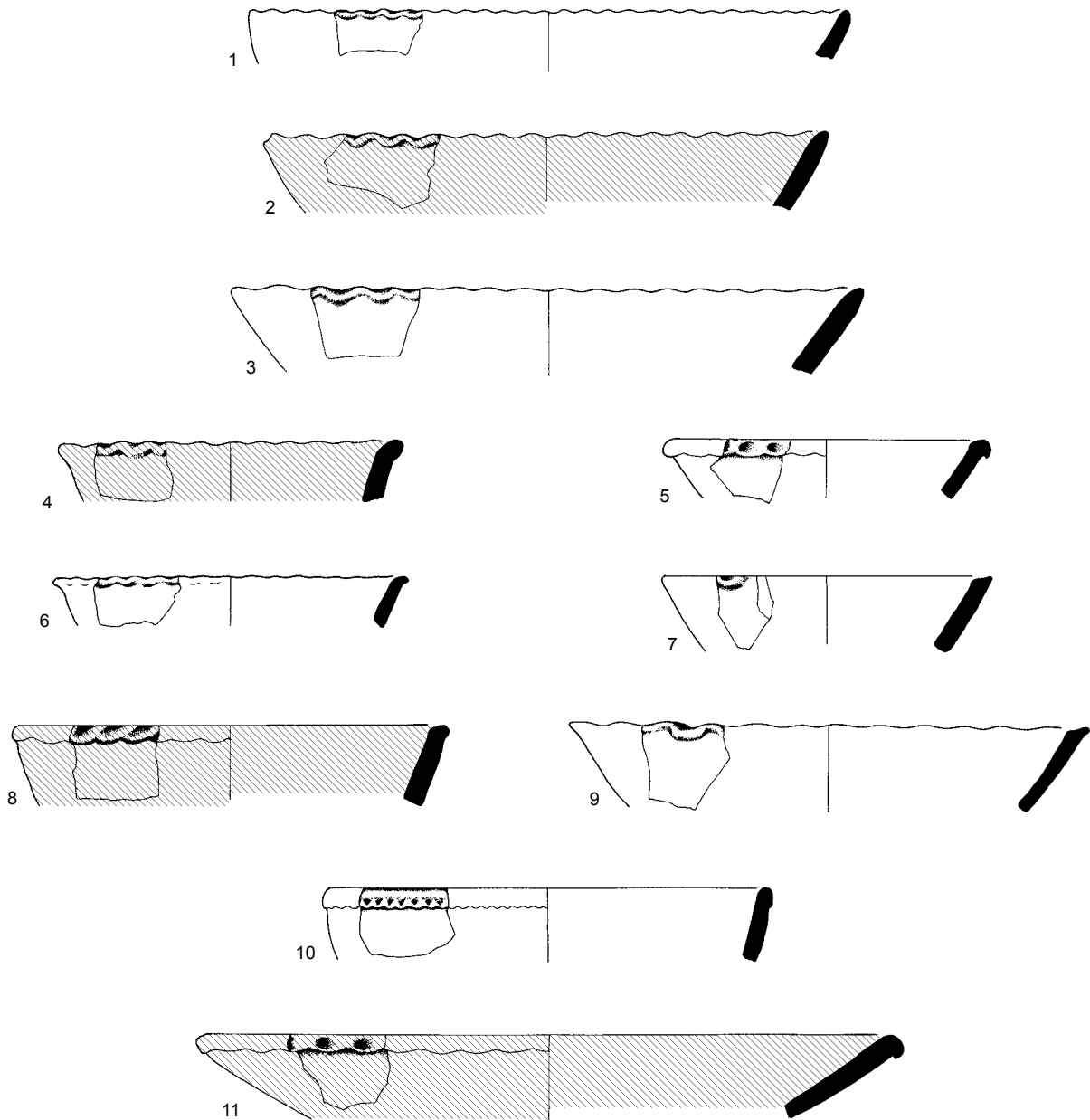


Fig. 1.16. Stratum III: bowls.

Fig. 1.17 ►

<i>No.</i>	<i>Type</i>	<i>Area</i>	<i>Stratum</i>	<i>Locus</i>	<i>Basket</i>	<i>Description</i>
1	B VII	D	IIIA	1220A	12037/1	Light brown fabric, light gray-brown core, small white grits, red wash on exterior and interior, well fired
2	B VII	D	IIIA	1017	10277	Light brown fabric, light gray-brown core, small white and gray grits, red wash on exterior, well fired
3	B VII	D	IIIA	506	5021/1	Light brown fabric, light gray core, small white and gray grits, red wash on exterior and interior, medium fired
4	B VII	D	IIIB	1366	12350/1	Light brown fabric, light gray-brown core, small white and gray grits, red wash on exterior and interior, well fired
5	B VII	D	IIIB	1097	10415	Light brown fabric, light gray-brown core, small white and gray grits, red wash on exterior and interior, medium fired
6	B VII	D	IIIB	1366	12350/2	Brown fabric, light gray-brown core, small white and gray grits, red wash on interior, well fired
7	B VII	D	IIIB	1366	12350/3	Light brown fabric, light gray-brown core, small white and gray grits, red wash on exterior and interior, well fired
8	B VII	D	IIIB	1001	10279	Brown fabric, gray-brown core, small to medium white and gray grits, well fired
9	B VII	D	IIIB	1350	12309	Brown fabric, light gray-brown core, small white and gray grits, medium fired
10	B VII	B	IIIB	289	2198	Brown fabric, light gray-brown core, small white and gray grits, medium fired
11	B VII	K	IIIA	5113	50268	Brown fabric, light gray-brown core, small white and gray grits, medium fired
12	B VII	B	IIIB	328	2262	Dark gray-brown fabric, dark gray core, small to medium white and gray grits, poorly fired

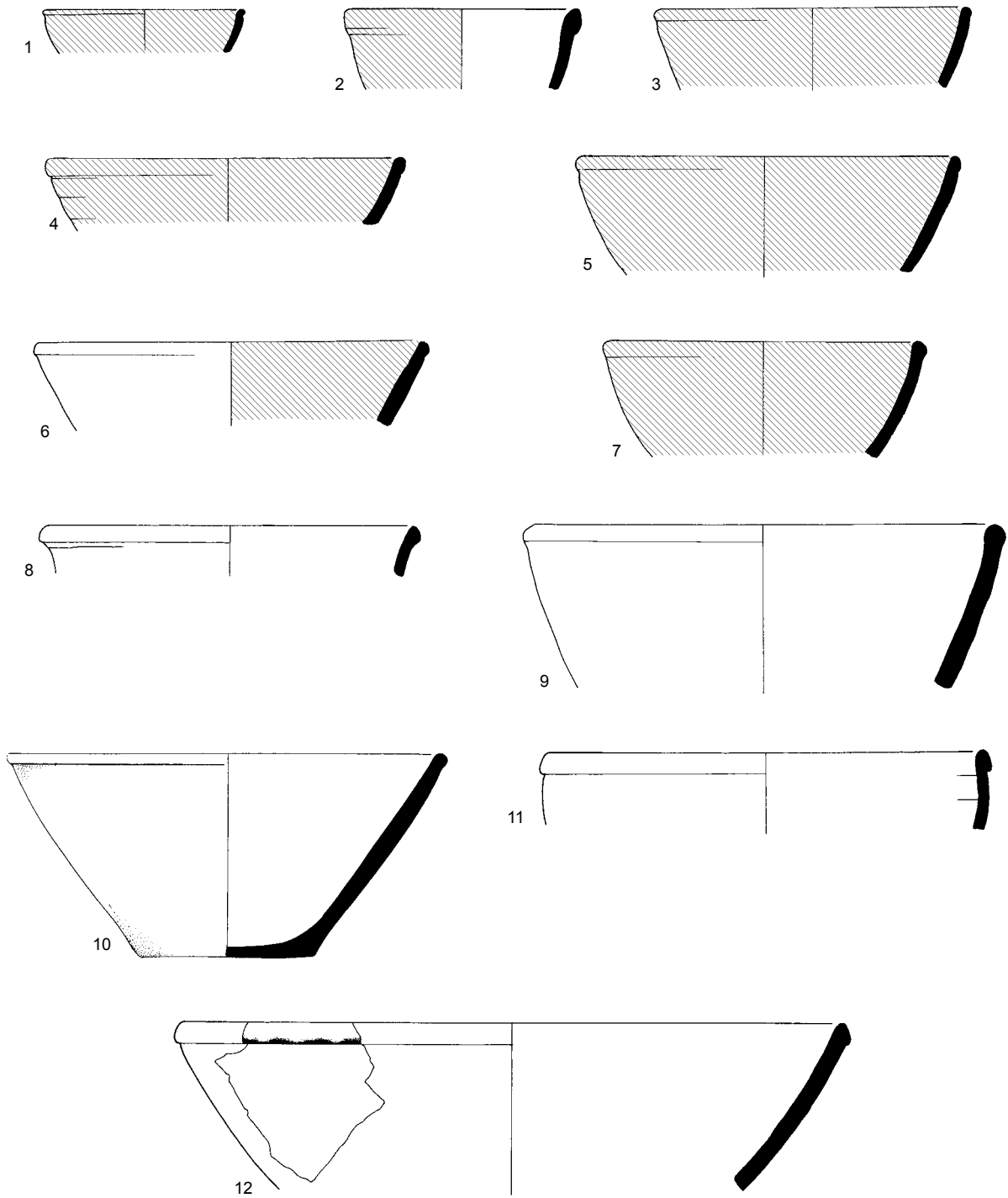


Fig. 1.17. Stratum III: bowls.

Fig. 1.18 ►

<i>No.</i>	<i>Type</i>	<i>Area</i>	<i>Stratum</i>	<i>Locus</i>	<i>Basket</i>	<i>Description</i>
1	B VII	D	IIIB	1055	10349	Dark brown fabric, brown-gray core, small white and gray grits, horizontal burnishing on exterior, medium fired
2	B VII	D	IIIB	1355	12327/1	Gray-brown fabric, gray core, small to medium white grits, red wash on exterior and interior, diagonal burnishing on exterior, horizontal burnishing on interior, medium fired
3	B VII	L	III	6026	60046	Brown fabric, gray core, small white and gray grits, diagonal burnishing on exterior and interior, medium fired
4	B VII	D	IIIA	506	5021/2	Light brown fabric, gray core, small white grits, red wash on exterior and interior, vertical burnishing on exterior, vertical and horizontal burnishing on interior, medium fired
5	B VIII	D	IIIA	1342	12340	Light brown fabric, gray core, small to medium white and gray grits, red wash on exterior and interior, well fired
6	B VIII	D	IIIA	1086	10413	Light cream fabric, cream-gray core, small white and gray grits, red wash on exterior and interior, well fired
7	B IX	D	IIIB	1001	5222	Brown fabric, gray core, small white grits, thumb indentations below rim, well fired
8	B IX	D	IIIA	599	5231/1	Brown-orange fabric, orange-gray core, small white and gray grits, well fired
9	B IX	L	III	6036	60422	Brown fabric, gray-brown core, small white grits, medium fired
10	B X	B	IIIB	217	2033	Cream-brown fabric, cream-gray core, small to medium white grits, horizontal burnishing on exterior, medium fired
11	B X	D	IIIB	1085	10402	Gray fabric, gray core, small white grits, burnished on exterior, medium fired
12	B X	D	IIIB-A	1050	10339	Gray fabric, gray core, small white grits, burnished on exterior and interior, well fired

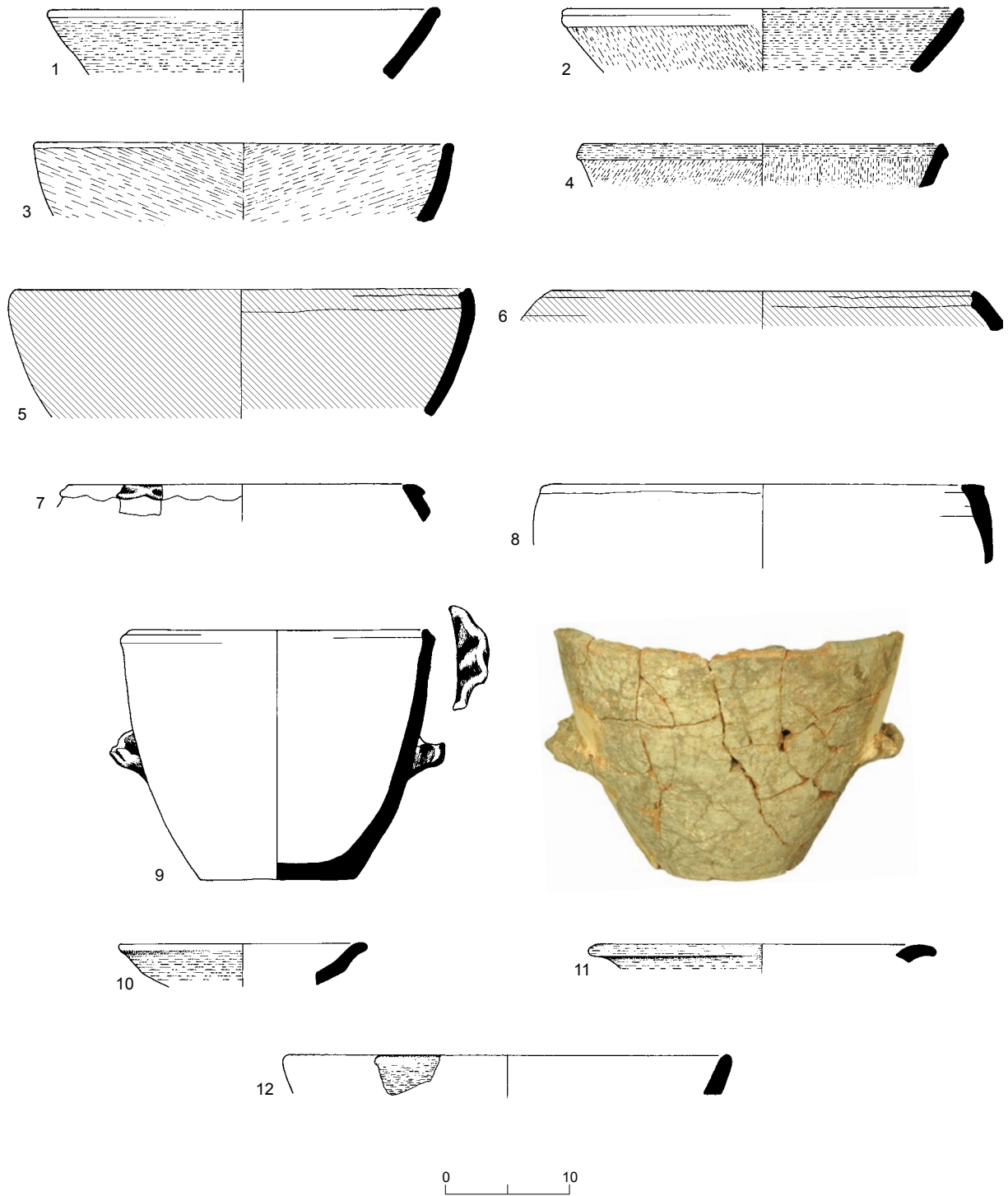


Fig. 1.18. *Stratum III*: bowls.

Fig. 1.19 ►

<i>No.</i>	<i>Type</i>	<i>Area</i>	<i>Stratum</i>	<i>Locus</i>	<i>Basket</i>	<i>Description</i>
1	H I	K	IIIB	5112	50280	Gray-brown fabric, dark gray core, small to medium white and gray grits, medium fired
2	H I	K	IIIA	5149	50382	Brown fabric, gray core, small to medium white and gray grits, medium fired
3	H I	D	IIIA	592	5208/1	Cream-brown fabric, light gray core, small white and gray grits, well fired
4	H I	D	IIIA	1344	12296	Dark brown fabric, brown-gray core, small to medium white and gray grits, medium fired
5	H I	M	IIIB	7025	70079/2	Orange-brown fabric, brown-gray core, small to medium white and gray grits, diagonal incisions below rim, medium fired
6	H I	M	IIIB	7015	70041	Dark brown fabric, dark gray core, small to medium white and gray grits, medium fired
7	H II	M	IIIB	7025	70071	Dark brown fabric, brown-gray core, small white and gray grits, well fired
8	H II	D	IIIB	1322	12325/1	Gray-brown fabric, gray-brown core, small white and gray grits, well fired
9	H II	D	IIIB	1322	12325/2	Dark brown fabric, brown-gray core, small white and gray grits, medium fired
10	H II	H	IIIA	4026	40060	Orange-brown fabric, gray core, small white and gray grits, well fired
11	H II	M	IIIB	7129	70279	Brown fabric, gray core, small to medium white and gray grits, diagonal thumb impressions on rim, well fired
12	H II	D	IIIB	1237	12068/1	Gray-brown fabric, gray core, small white grits, knob below rim, well fired
13	H II	D	IIIA	1344	12345/1	Gray-brown fabric, gray core, small white grits, knob below rim, well fired

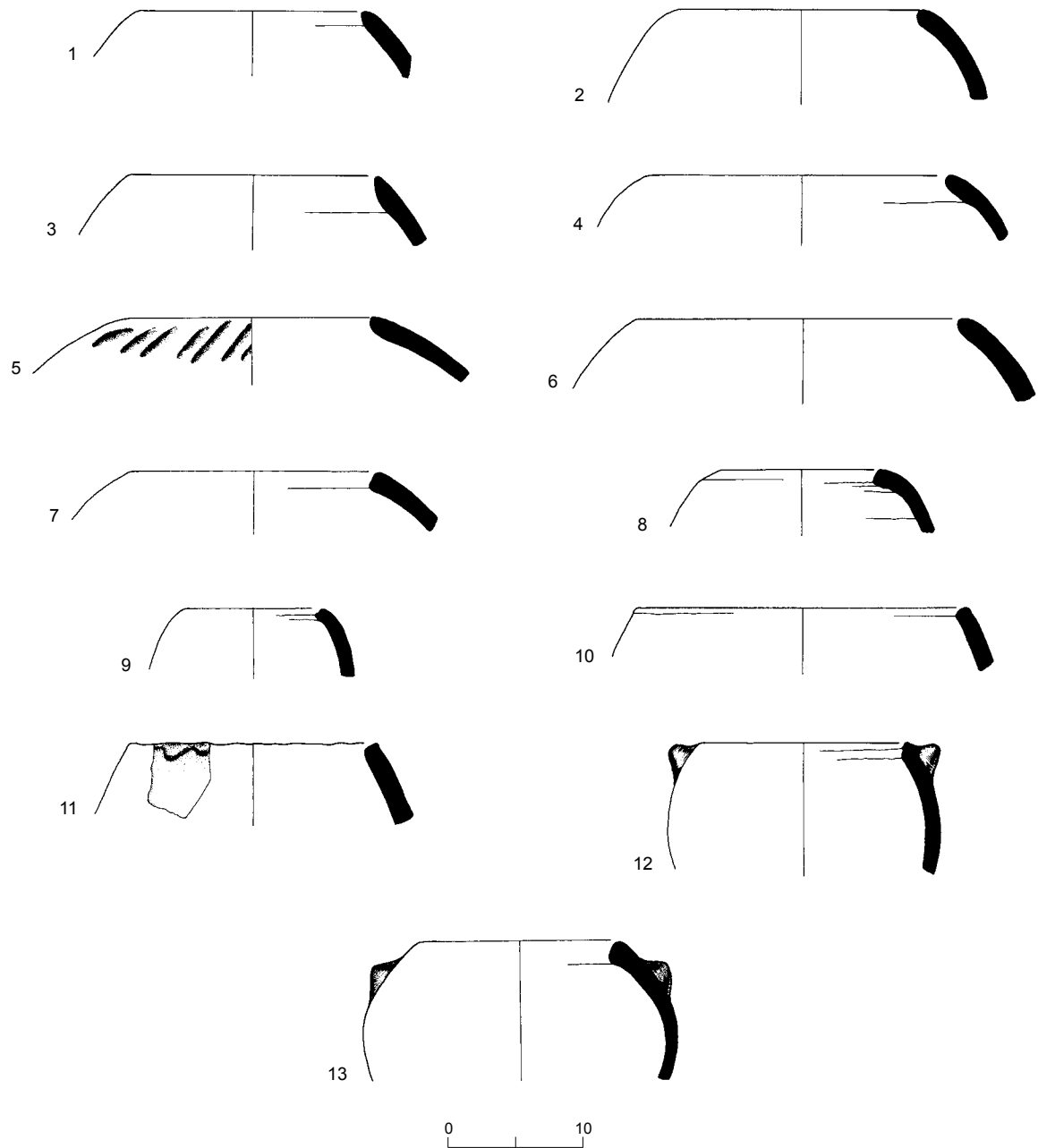


Fig. 1.19. Stratium III: holemouth jars.

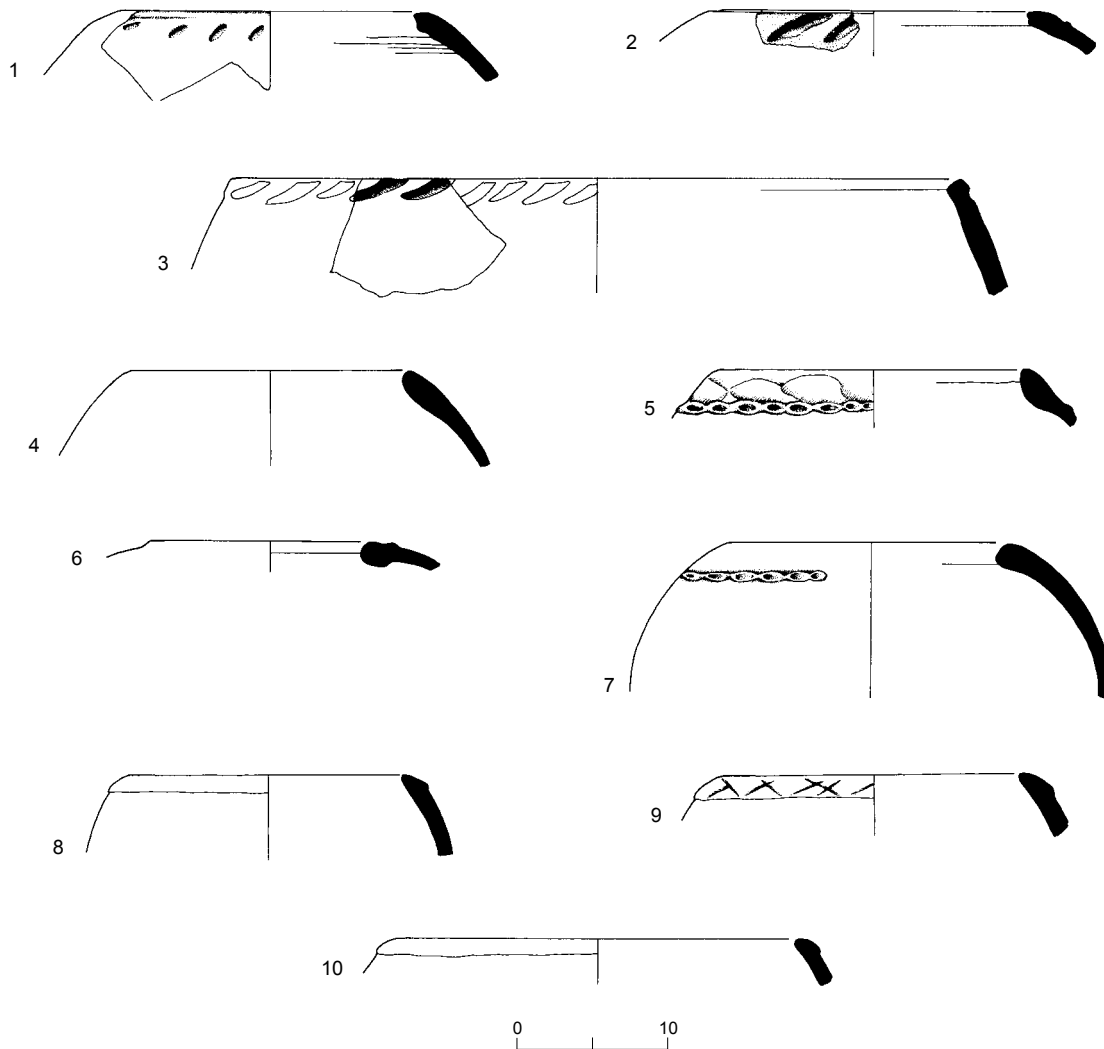


Fig. 1.20. Stratum III: holemouth jars.

No.	Type	Area	Stratum	Locus	Basket	Description
1	H II	D	IIIA	1318	12243	Orange-brown fabric, gray-brown core, small white and gray grits, diagonal thumb impressions below rim, well fired
2	H II	D	IIIA	1216	12019	Light brown fabric, brown-gray core, small to medium white and gray grits, diagonal thumb impressions below rim, medium fired
3	H II	G	IIIB	816	8053	Brown fabric, gray core, small to medium white and gray grits, diagonal thumb impressions below rim, medium fired
4	H III	D	IIIA	1269	12143	Light brown fabric, brown-gray core, small to large white and gray grits, medium fired
5	H III	D	IIIA	573	5166/1	Light brown-orange fabric, gray-brown core, small to medium white and gray grits, rope decoration below rim, well fired
6	H III	K	IIIA	5143	50381	Light brown-orange fabric, gray core, small to medium white and gray grits, medium fired
7	H III	D	IIIB	1357	12363/2	Light brown fabric, gray core, small to medium white and gray grits, applied segmented rope decoration below rim, medium fired
8	H IVa	M	IIIB-A	7101	70221	Brown fabric, brown-gray core, small white and gray grits, well fired
9	H IVa	D	IIIB	1119	10474	Brown-gray fabric, gray core, small white and gray grits, diagonal incisions below rim, well fired
10	H IVa	G	IIIB	816	8082	Light brown fabric, brown-gray core, small to medium white and gray grits, medium fired

Fig. 1.21 ►

<i>No.</i>	<i>Type</i>	<i>Area</i>	<i>Stratum</i>	<i>Locus</i>	<i>Basket</i>	<i>Description</i>
1	H IVb	M	IIIB	7024	70052	Brown fabric, brown-gray core, small to medium white and gray grits, thumb indentations below rim, well fired
2	H IVb	D	IIIB	1113	10457	Light brown fabric, brown-gray core, small white and gray grits, thumb indentations below rim, medium fired
3	H IVb	H	IIIB	4143	40366	Brown fabric, brown-gray core, small white and gray grits, thumb indentations below rim, medium fired
4	H IVb	J	IIIA	2015	20068/1	Cream-orange fabric, light brown-gray core, small to medium white and gray grits, applied rope decoration below rim, well fired
5	H IVb	D	IIIB	1099	10429/2	Brown-red fabric, brown-gray core, small white and gray grits, thumb indentations below rim, medium fired
6	H V	G	IIIB	912	8153	Cream-brown fabric, light brown core, small to medium white and gray grits, applied rope decoration below rim, medium fired
7	H V	J	IIIA	2092	20232	Brown-red fabric, brown-gray core, small white and gray grits, medium fired
8	H V	K	IIIB	5027	50049/1	Brown-red fabric, brown-gray core, small white grits, well fired
9	H V	D	IIIB	1355	12327/2	Dark brown fabric, brown-gray core, small white grits, thumb indentations on rim, medium fired
10	H V	L	III	6081	60191	Light brown-orange fabric, brown-gray core, small to medium white and gray grits, medium fired
11	H V	M	IIIB	7049	70101	Cream-brown fabric, brown-gray core, small to medium white grits, red wash on exterior, thumb indentations on rim, well fired
12	H V	D	IIIA	1352	12315/1	Light brown fabric, brown-gray core, small white and gray grits, well fired
13	H VI	D	IIIB	1101	10430/2	Brown fabric, gray core, small to medium white and gray grits, scalloped decoration on rim, medium fired
14	H VII	D	IIIB	1137	10512	Brown-gray fabric, gray core, small to medium white and gray grits, well fired
15	H VII	D	IIIA	1086	10405/2	Brown fabric, brown-gray core, small white grits, medium fired
16	H VII	I	III	2059	20157	Dark brown fabric, gray core, small to medium white and gray grits, medium fired

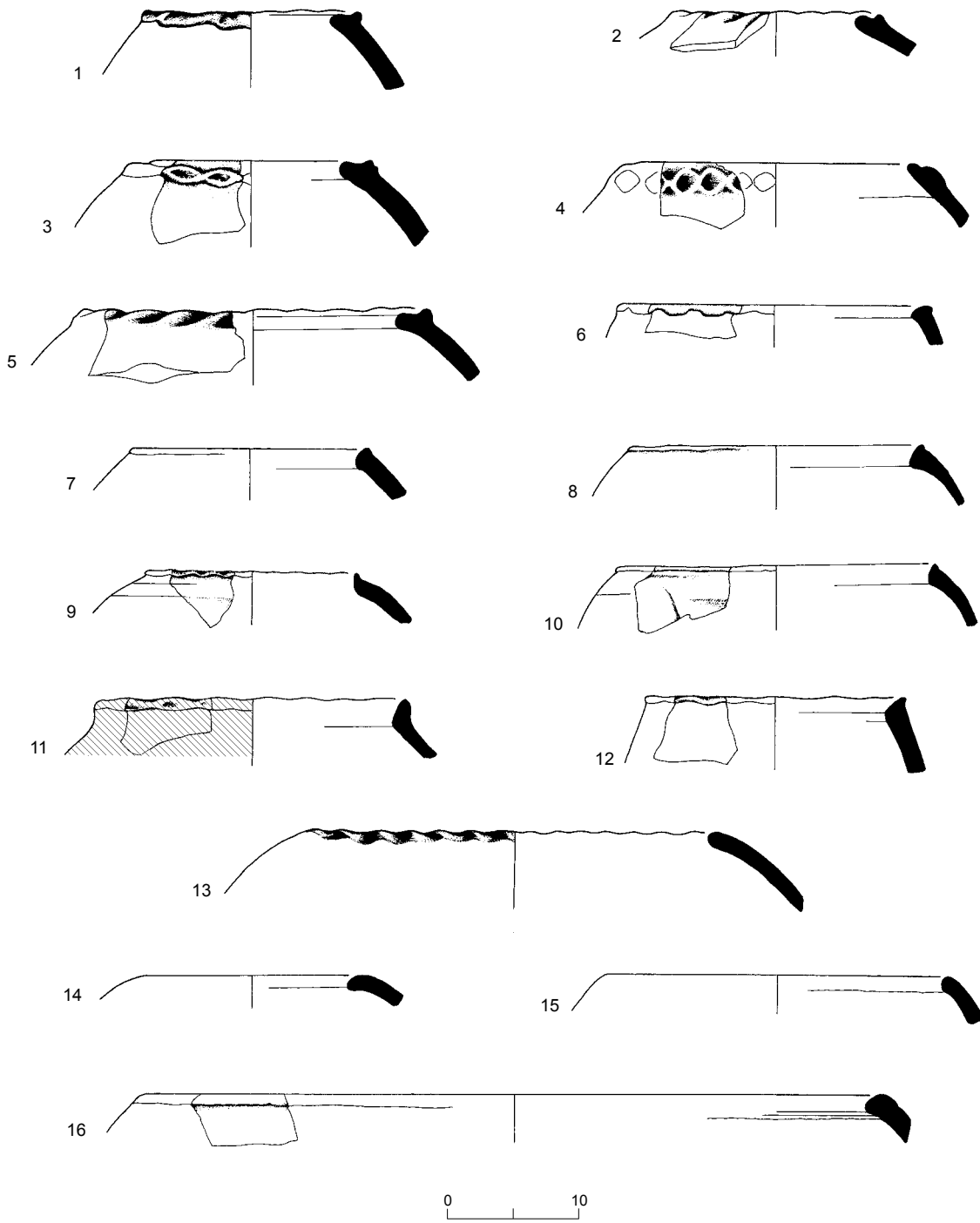


Fig. 1.21. Stratium III: holemouth jars.

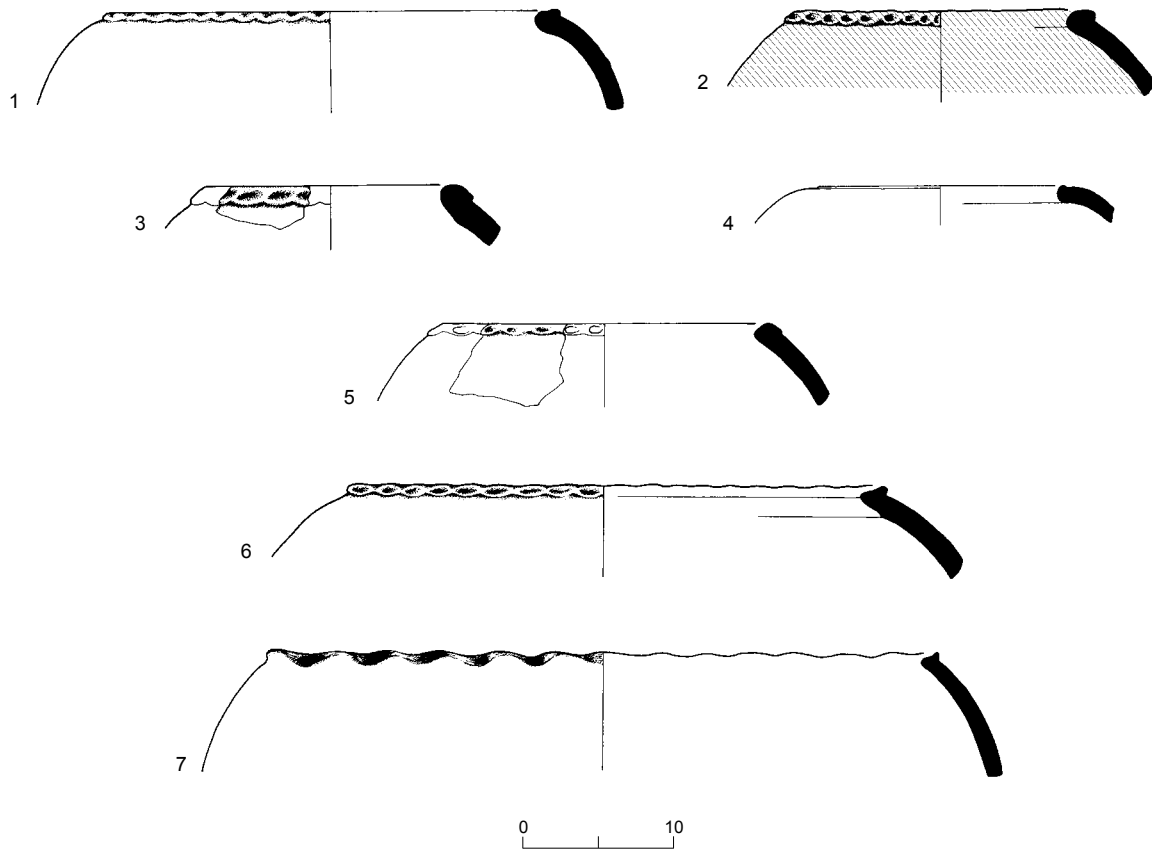


Fig. 1.22. Stratum III: holemouth jars.

No.	Type	Area	Stratum	Locus	Basket	Description
1	H VIII	D	IIIA	1352	12315/2	Dark brown fabric, dark gray core, small to medium white and gray grits, scalloped decoration on rim, medium fired
2	H VIII	M	IIIA	7120	70272/1	Brown fabric, dark gray core, small to medium white and gray grits, red wash on exterior and interior, scalloped decoration on rim, well fired
3	H VIII	D	IIIB	1037	10407	Dark brown fabric, dark gray core, small to medium white and gray grits, scalloped decoration on rim, medium fired
4	H VIII	D	IIIA	599	5231/2	Brown fabric, brown-gray core, small white and gray grits, well fired
5	H VIII	D	III	1329	12247	Dark brown fabric, gray core, small to medium white grits, scalloped decoration on rim, well fired
6	H VIII	H	IIIB	4171	40466/1	Brown fabric, brown-gray core, small white and gray grits, scalloped decoration on rim, medium fired
7	H VIII	D	IIIA	1086	10405/3	Light brown fabric, gray core, small white and gray grits, scalloped decoration on rim, medium fired



Fig. 1.23. Stratium III: storage jars.

No.	Type	Area	Stratum	Locus	Basket	Description
1	SJ Ia	D	IIIB	1114	10458	Brown fabric, brown-gray core, small to medium white and gray grits, medium fired
2	SJ Ib	D	IIIB	1140	10575	Brown fabric, gray core, small to medium white and gray grits, thumb indentations, medium fired
3	SJ Ib	I	III	2100	20214	Brown fabric, gray core, small to medium white and gray grits, thumb indentations, medium fired
4	SJ Ib	H	IIIA	4070	40206	Light brown fabric, brown-gray core, small to medium white and gray grits, medium fired
5	SJ Ib	D	IIIA	1220A	12037/2	Light brown fabric, light brown-gray core, small white and gray grits, medium fired
6	SJ II	H	IIIB	4196	40463/1	Brown fabric, dark gray core, small to medium white and gray grits, thumb indentations, medium fired

Fig. 1.24 ►

<i>No.</i>	<i>Type</i>	<i>Area</i>	<i>Stratum</i>	<i>Locus</i>	<i>Basket</i>	<i>Description</i>
1	SJ II	D	III A	1086	10405/4	Brown fabric, dark gray core, small to medium white and gray grits, thumb indentations on rim, medium fired
2	SJ II	H	III A	4060	40146	Brown fabric, dark gray core, small to medium white and gray grits, thumb indentations on rim, medium fired
3	SJ II	M	III A	7120	70272/2	Orange-brown fabric, dark gray core, small to medium white and gray grits, thumb indentations on rim, medium fired
4	SJ II	H	III B	4196	40463/2	Brown fabric, dark gray core, small to medium white and gray grits, thumb indentations on rim, medium fired
5	SJ II	H	III A	4069	40209	Brown fabric, dark gray core, small to medium white and gray grits, thumb indentations on rim, medium fired
6	SJ III	J	III B	2091	20288	Light brown fabric, light gray core, small white grits, greenish-white wash on exterior, thumb indentations on rim, medium fired
7	SJ III	H	III A-B	4104	40273	Brown fabric, gray core, small to medium white and gray grits, thumb indentations on rim, medium fired
8	SJ IV	D	III A	1242	12075	Brown fabric, dark gray core, small to medium white and gray grits, medium fired

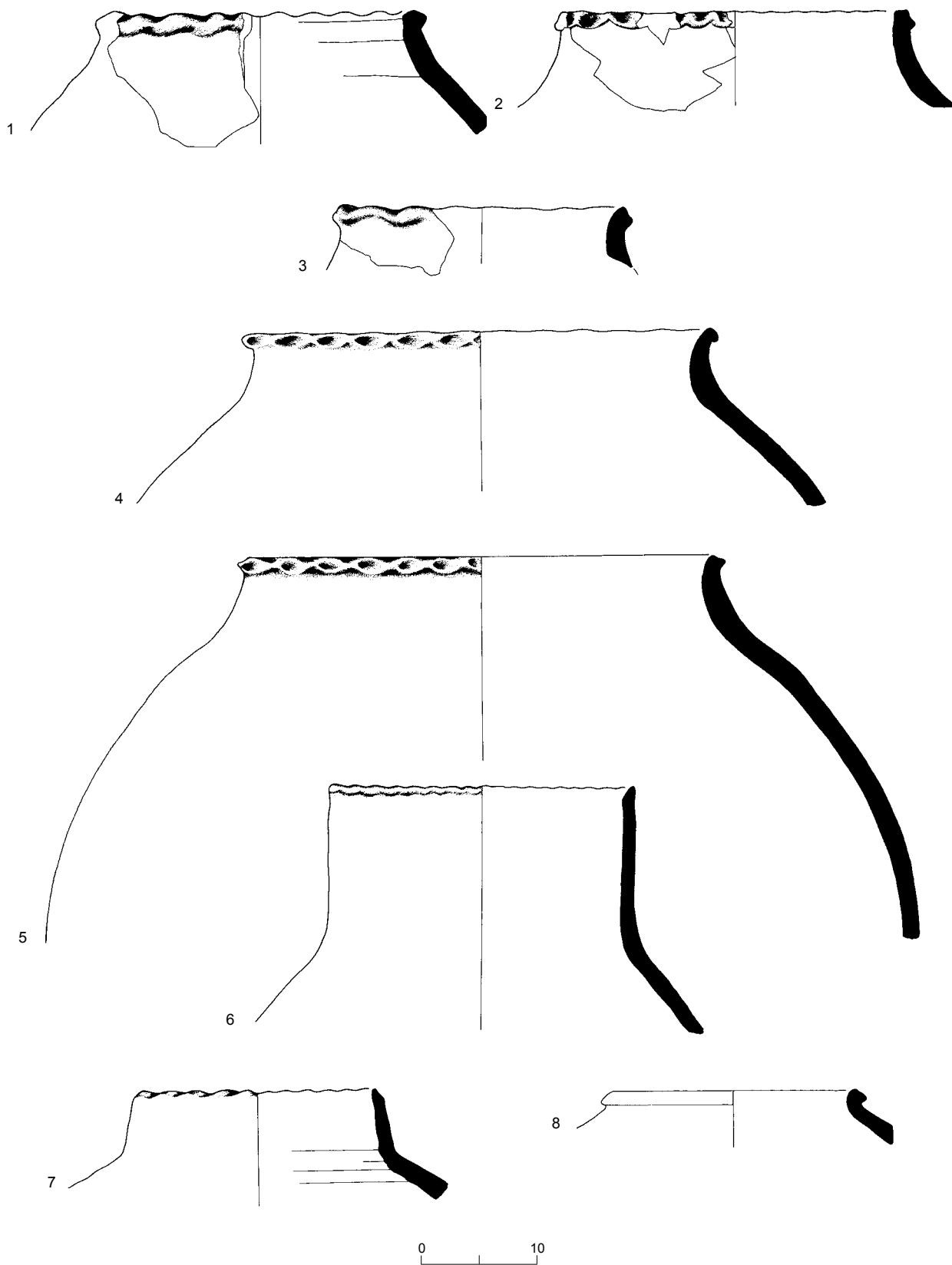


Fig. 1.24. Stratum III: storage jars.

Fig. 1.25 ►

No.	Type	Area	Stratum	Locus	Basket	Description
1	SJ IV	D	IIIB	1112	10452	Light brown fabric, dark gray core, small to medium white and gray grits, medium fired
2	SJ IV	D	IIIB	1100	10427	Light brown fabric, gray core, small to medium white and gray grits, medium fired
3	SJ Va	D	III	1349	13312	Brown-gray fabric, brown-gray core, small to medium white and gray grits, medium fired
4	SJ Va	D	IIIA	1344	12345/2	Brown-gray fabric, brown-gray core, small to medium white and gray grits, medium fired
5	SJ Va	D	IIIA-B	1052	10350	Brown-gray fabric, brown-gray core, small to medium white and gray grits, medium fired
6	SJ Va	D	IIIB	1353	12323	Brown-gray fabric, brown-gray core, small to medium white and gray grits, medium fired
7	SJ Va	D	IIIA	1261	12127	Brown-gray fabric, brown-gray core, small to medium white and gray grits, medium fired
8	SJ Va	D	IIIA	536	5080	Brown-gray fabric, brown-gray core, small to medium white and gray grits, medium fired
9	SJ Va	D	IIIA	1344	12345/3	Brown-gray fabric, brown-gray core, small to medium white and gray grits, medium fired
10	SJ Vb	D	IIIB	1357	12330	Brown-gray fabric, brown-gray core, small to medium white and gray grits, medium fired
11	SJ VI	D	IIIB	1313	12313	Dark gray-brown fabric, gray-brown core, small white and gray grits, well fired
12	SJ VI	I	III	2129	20257	Brown-red fabric, dark gray core, small white grits, faint red wash on exterior, well fired
13	SJ VI	K	IIIB	5027	50049/2	Dark brown fabric, brown-gray core, small white grits, medium fired
14	SJ VI	D	IIIA	1341	12300	Light brown fabric, brown-gray core, small white and gray grits, red wash on exterior, medium fired
15	SJ VI	L	IIIB	6094	60421	Brown fabric, brown-gray core, small to medium white and gray grits, red wash and vertical burnish on exterior, poorly fired

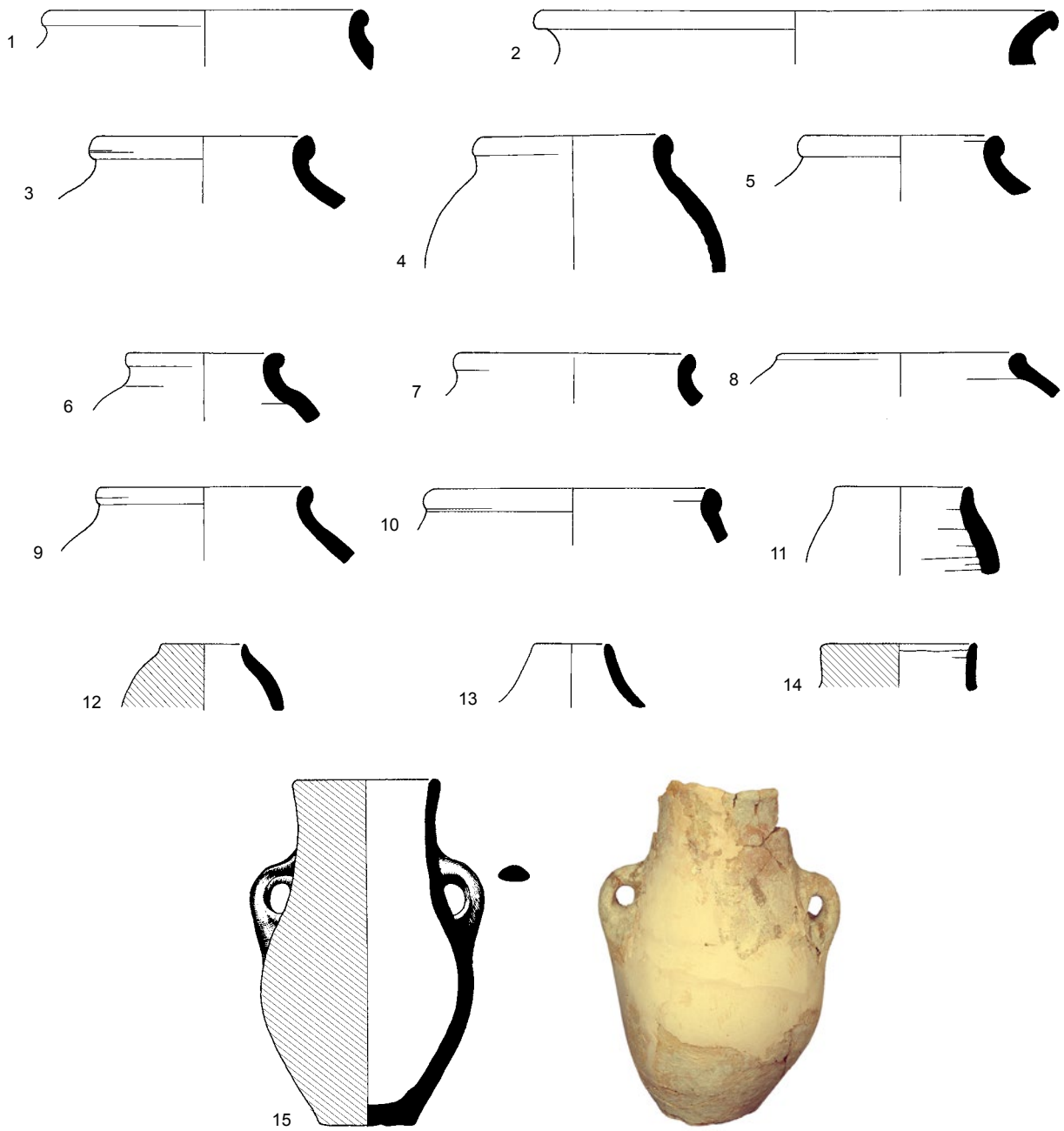


Fig. 1.25. Stratum III: storage jars.

Fig. 1.26 ►

<i>No.</i>	<i>Type</i>	<i>Area</i>	<i>Stratum</i>	<i>Locus</i>	<i>Basket</i>	<i>Description</i>
1	SJ VI	H	IIIA	4068	40168	Brown fabric, gray core, small white and gray grits, red wash on exterior, medium fired
2	SJ VI	D	IIIB	1313	12319	Light brown fabric, brown-gray core, small white grits, red wash on exterior, medium fired
3	SJ VII	D	IIIA	1341	12286/1	Light brown fabric, light brown-gray core, small white and gray grits, vertical burnish on exterior, well fired
4	SJ VII	D	IIIA	573	5166/2	Light brown fabric, brown-gray core, small to medium white and gray grits, red wash on exterior, well fired
5	SJ VII	M	IIIB	7097	70202	Light brown fabric, light brown-gray core, small white and gray grits, red wash on exterior and interior, well fired
6	SJ VII	D	IIIA	580	10167	Light brown-red fabric, brown-gray core, small white, grits, red wash on exterior, well fired
7	SJ VII	M	IIIA	7120	70272/3	Light brown fabric, light brown-gray core, small white and gray grits, red wash on exterior, well fired
8	SJ VII	H	IIIB	4171	40427	Light brown fabric, light brown-gray core, small to medium white and gray grits, medium fired
9	SJ VII	D	IIIB	1355	12327/3	Brown-gray fabric, brown-gray core, small white grits, well fired
10	SJ VII	J	IIIA	2007	20142	Light brown fabric, light gray-brown core, small white and gray grits, red wash on exterior, medium fired
11	SJ VIII	D	IIIB	1034	10308	Light brown fabric, light gray-brown core, small white and gray grits, medium fired
12	SJ VIII	H	IIIA	4063	40159/2	Dark brown fabric, gray-brown core, small white grits, medium fired
13	SJ VIII	D	IIIB	1310	12211	Light brown fabric, light gray-brown core, small to medium white and gray grits, medium fired
14	SJ VIII	D	IIIB	1129	123476	Light brown fabric, gray core, small white grits, well fired

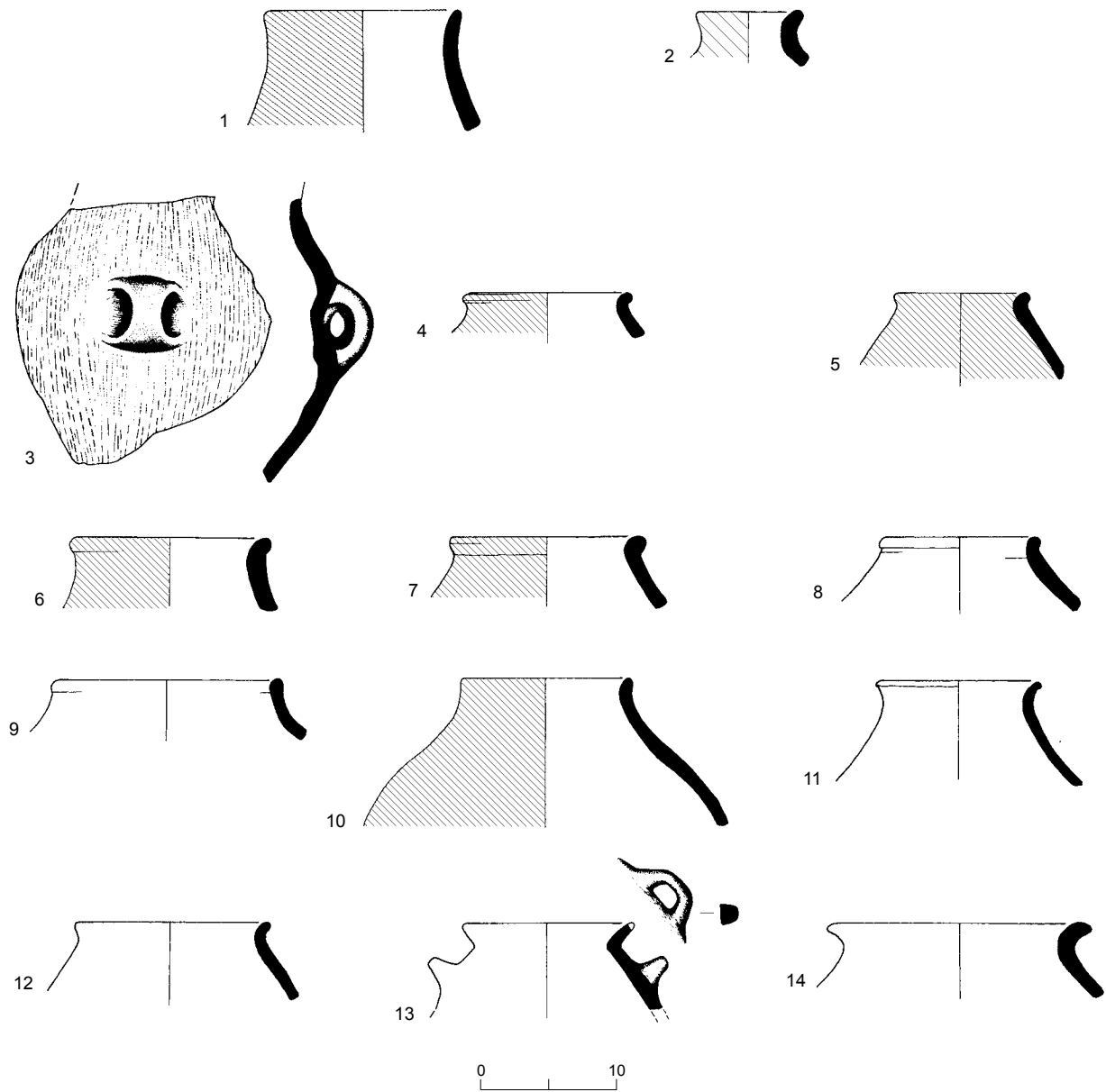
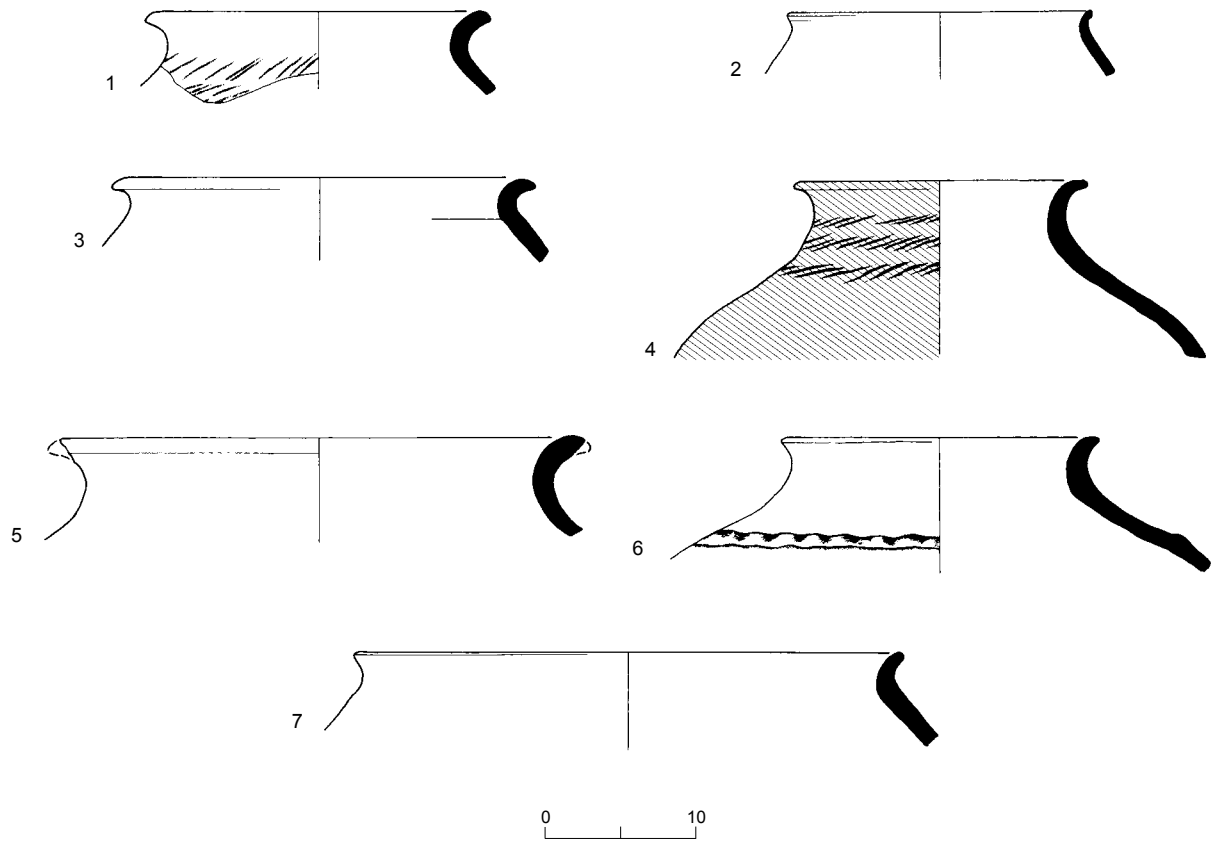


Fig. 1.26. Stratum III: storage jars.

Fig. 1.27. *Stratum III*: storage jars.

No.	Type	Area	Stratum	Locus	Basket	Description
1	SJ VIII	D	IIIA	1261	12177	Light brown fabric, light gray core, small to large white grits, diagonal incisions on shoulder, well fired
2	SJ VIII	D	IIIB	1039	10322	Dark gray-brown fabric, gray core, small white grits, medium fired
3	SJ VIII	D	IIIA	1261	12136	Light brown fabric, light gray core, small to medium white grits, white wash on exterior, well fired
4	SJ VIII	D	IIIB	1357	12363/3	Light cream-brown fabric, light gray core, small white grits, red wash on exterior, diagonal incisions on shoulder, well fired
5	SJ VIII	D	IIIA	1354	11326	Light brown fabric, light brown-gray core, small to medium white and gray grits, well fired
6	SJ VIII	D	IIIB	1357	12363/4	Light brown fabric, light gray core, small to medium white and gray grits, applied rope decoration on shoulder, white wash on exterior, well fired
7	SJ VIII	D	IIIA	592	5208/2	Light brown fabric, light gray-brown core, small to medium white and gray grits, well fired

Fig. 1.28 ►

<i>No.</i>	<i>Type</i>	<i>Area</i>	<i>Stratum</i>	<i>Locus</i>	<i>Basket</i>	<i>Description</i>
1	LH I	D	IIIB	1119	10494	Gray-brown fabric, light gray-brown core, small white grits, well fired
2	LH I	H	IIIA	4022	40054	Light brown fabric, light brown-gray core, small white and gray grits, red wash, medium fired
3	LH II	M	IIIA	7059	70344	Light brown fabric, light brown-gray core, small to medium white and gray grits, medium fired
4	LH II	G	IIIA-B	843	8063	Brown fabric, brown-gray core, small white and gray grits, medium fired
5	LH II	D	IIIB	1357	12363/5	Light cream-brown fabric, light brown-gray core, small white and gray grits, red wash, well fired
6	LH II	H	IIIA	140	1086/2	Light brown fabric, light gray core, small white and gray grits, well fired
7	LH III	D	IIIB	1366	12350/4	Gray-brown fabric, light gray-brown core, small white grits, well fired
8	LH II	D	IIIA	1344	12345/4	Light brown fabric, light brown-gray core, small to medium white and gray grits, white wash on exterior, medium fired

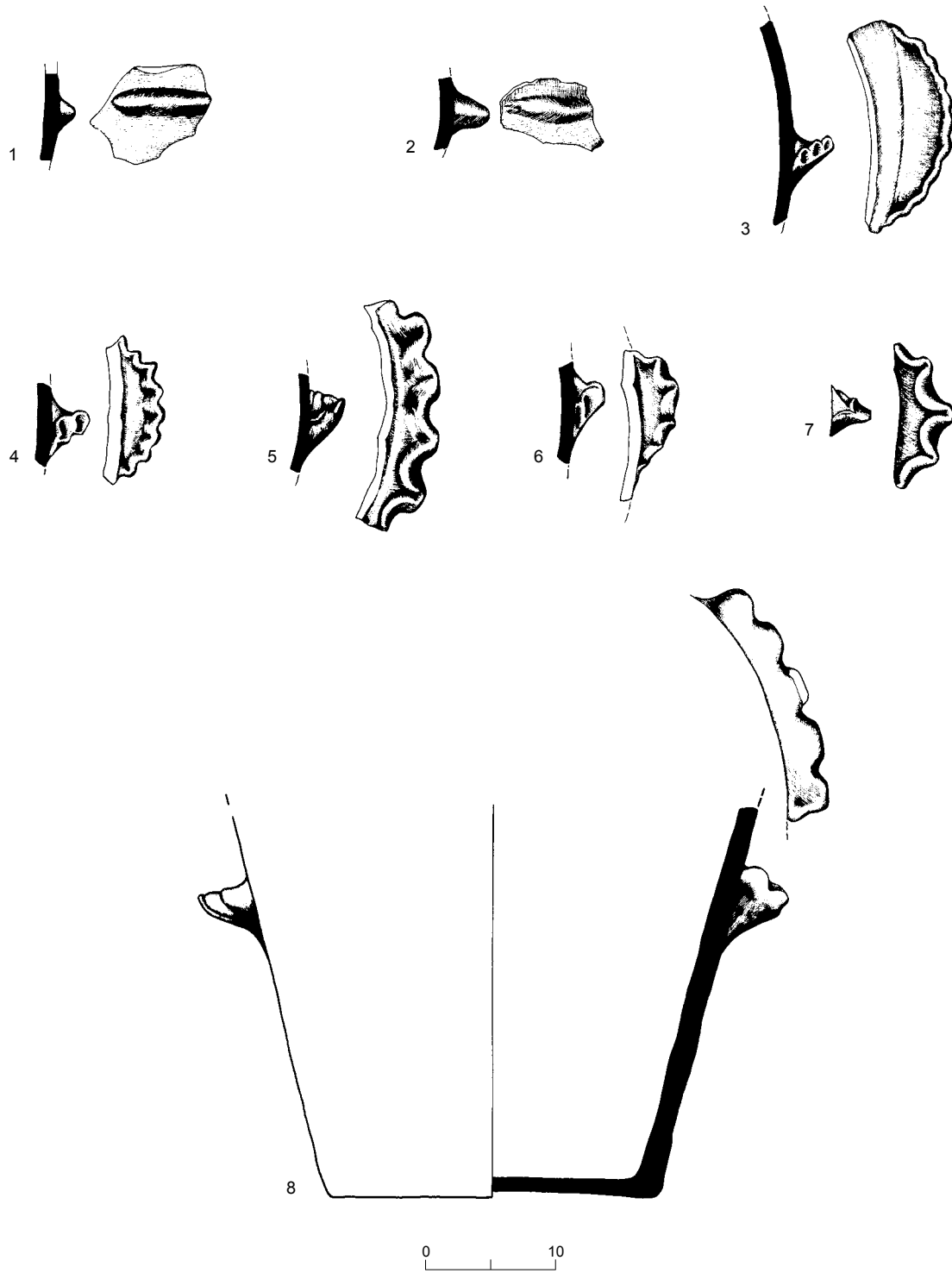


Fig. 1.28. Stratum III: ledge handles.

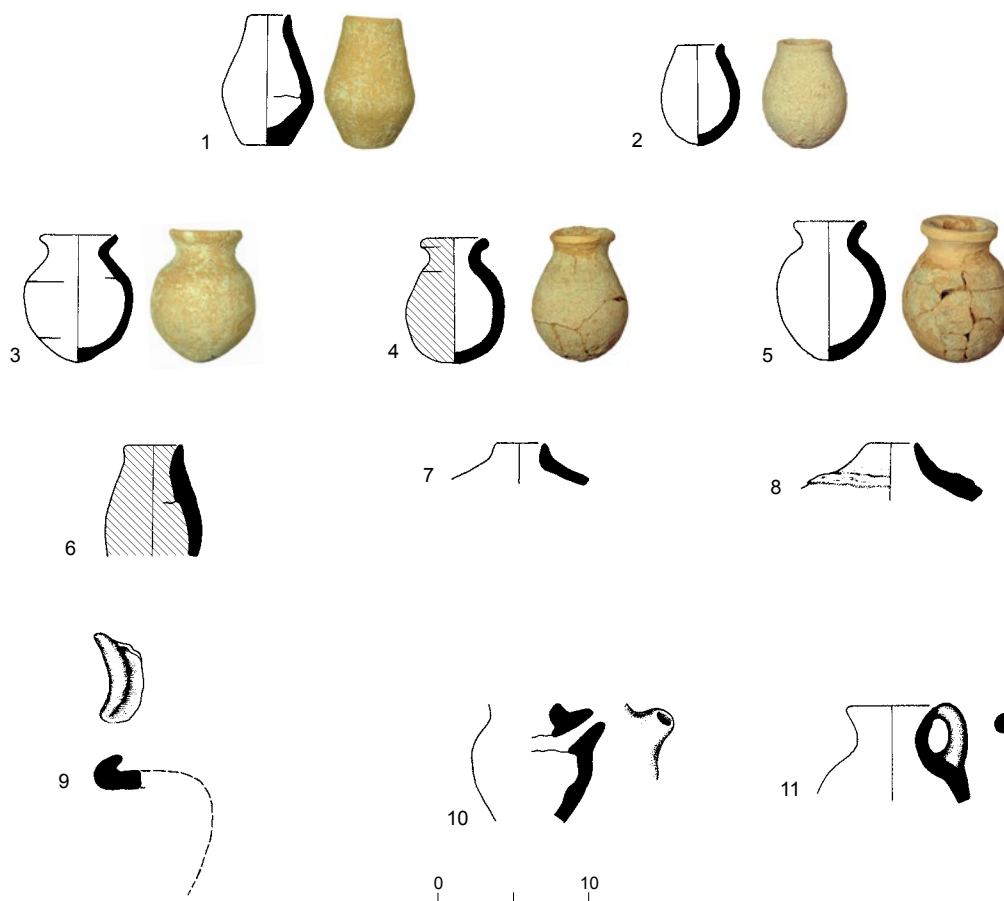


Fig. 1.29. Stratium III: juglets and jug.

No.	Type	Area	Stratum	Locus	Basket	Description
1	JT	J	IIIB	2035	20069	Brown fabric, brown-gray core, small white and gray grits, medium fired
2	JT	H	IIIB	4171	40466/2	Light brown fabric, small to medium white grits, well fired
3	JT	D	IIIB	1100	1044	Brown fabric, brown-gray core, small white grits, well fired
4	JT	D	IIIA	1369	12358	Light brown fabric, light brown-gray core, small white and gray grits, red wash on exterior, medium fired
5	JT	K	IIIB	5147	50459	Light brown fabric, light brown-gray core, small white and gray grits, medium fired
6	JT	D	IIIB	1237	12068/2	Light brown fabric, light gray core, small white, red wash on exterior and interior, medium fired
7	JT	D	IIIB	1313	12344	Light brown fabric, gray core, small white and gray grits, well fired
8	JT	K	IIIA	5113	50292	Light brown fabric, light brown-gray core, small to medium white grits, applied rope decoration on shoulder, medium fired
9	JT	D	IIIB	1237	12068/3	Light brown fabric, light brown-gray core, small white and gray grits, medium fired
10	JT	D	IIIA	1369	12357	Light brown fabric, light brown-gray core, small white grits, poorly fired
11	JG	D	IIIA	1318	12277	Gray-brown fabric, gray-brown core, small white grits, well fired

Fig. 1.30 ►

<i>No.</i>	<i>Type</i>	<i>Area</i>	<i>Stratum</i>	<i>Locus</i>	<i>Basket</i>	<i>Description</i>
1	Decorated handle	D	IIIA	1017	10271	Light brown fabric, light brown core, small white grits, incised line on exterior, medium fired
2	Decorated handle	L	IIIA(?)	6115	60225	Light brown fabric, gray core, small to medium white and gray grits, two incised vertical lines on exterior, well fired
3	Decorated handle	A	III	122	1027	Light orange-brown fabric, light orange-brown core, small white grits, incised diagonal lines on exterior, well fired
4	Decorated handle	D	IIIA	1341	12286/2	Light brown fabric, gray core, small white grits, incised horizontal lines on exterior, medium fired
5	Decorated handle	K	IIIA	5150	50409	Light brown fabric, light gray core, small to medium white grits, applied coil decoration, well fired
6	Loop handle of small jar	K	IIIB	5027	50039	Light cream-brown fabric, brown core, small to medium white and gray grits, red wash on exterior, well fired
7	Loop handle	B	IIIB	223	2043	Light cream-brown fabric, gray-black core, small to medium white and gray grits, well fired
8	Lug handle	G	IIIB	921	8169	Light brown fabric, light gray-brown core, small to medium white and gray grits, medium fired
9	CT	B	IIIB	217	2036	Gray-brown fabric, gray-brown core, small white grits, vertical burnishing, well fired
10	CT	D	IIIB	588	5207	Light brown fabric, gray core, small white and gray grits, medium fired
11	Churn(?)	I	III	2125	20250	Light brown fabric, light gray-brown core, small white and gray grits, applied rope decoration on exterior, remains of white slip on exterior, medium fired
12	String-cut bowl base	G		891	8091	Light brown fabric, gray core, small white and gray grits, red wash on exterior and interior, well fired
13	String-cut base	J	IIIA	2015	20068/2	Light brown fabric, light gray-brown core, small white and gray grits, medium fired
14	Painted jug with decorated handle	D	IIIA	519	5082	Light cream-brown fabric, light cream-brown core, small gray grits, white wash on exterior, diagonal red stripes on exterior, three impressed vertical lines handle, medium fired
15	Small Egyptian jar	D	IIIA	1289	12178	Light cream-brown fabric, light gray core, small gray grits, applied coil wavy decoration, pale gray-green slip on exterior and interior, medium fired



Fig. 1.30. *Stratum III: varia*.

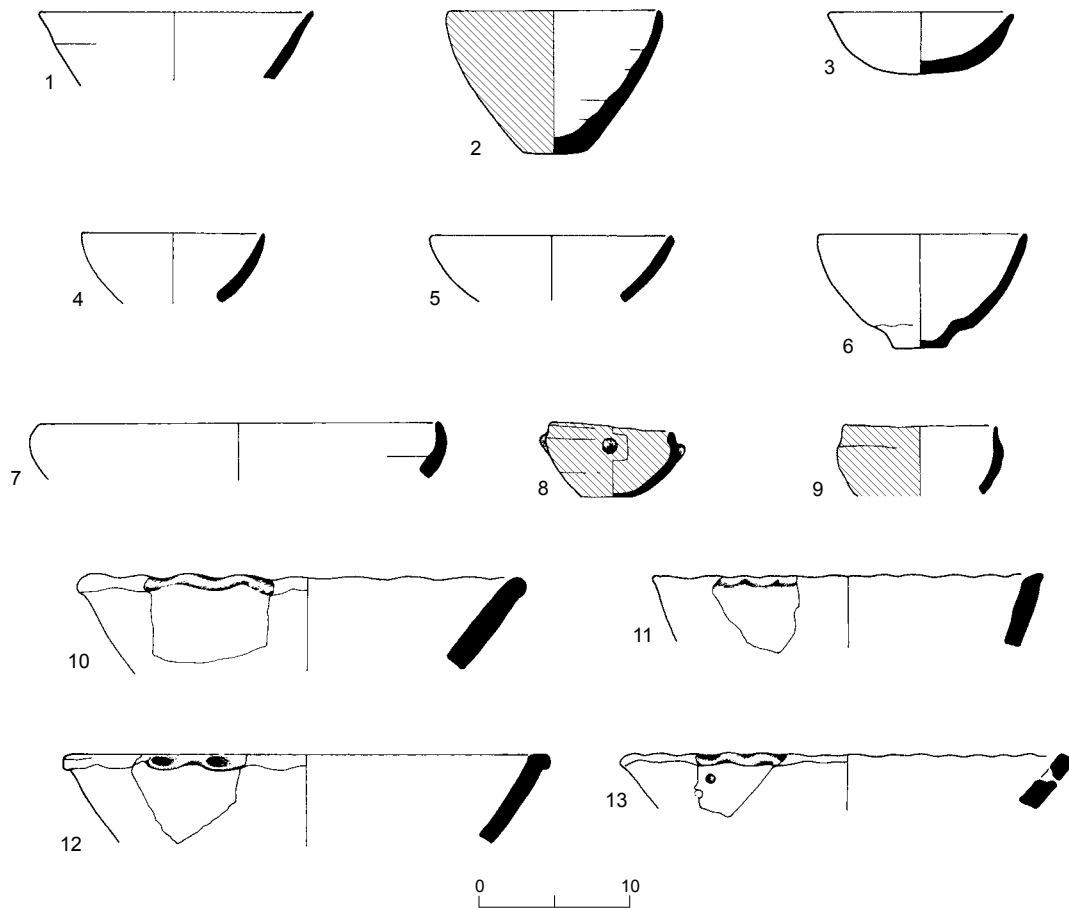


Fig. 1.31. Stratium II: bowls.

No.	Type	Area	Stratum	Locus	Basket	Description
1	B Ia	D	II	518	5031/1	Gray fabric, gray core, small white grits, well fired
2	B Ia	D	II	1328	12263	Light brown-orange fabric, orange-brown core, small-medium white grits, red wash on exterior, medium fired
3	B III	K	II	5145	50381	Light brown fabric, brown-gray core, small white and gray grits, poorly fired
4	B III	D	II	1028	10295	Brown fabric, gray-brown core, small white grits, medium fired
5	B III	D	II	1282	12287	Brown fabric, gray core, small white grits, medium fired
6	B III	D	II	589	5207/1	Light brown fabric, light-brown core, small white and gray grits, medium fired
7	B III	D	II	1092	10411	Brown fabric, brown core, small to medium white and gray grits, medium fired
8	B V	D	II	1328	12264	Light brown fabric, brown core, small white and gray grits, three plastic knobs below rim, red wash on exterior and interior, medium fired
9	B V	D	II	581	5195	Light gray-brown fabric, brown core, small white grits, red wash on exterior, well fired
10	B VIa	K	II	5012	50029	Light brown fabric, light gray core, small to medium white and gray grits, thumb indentations on rim, medium fired
11	B VIb	L	II	6215	60406	Light brown fabric, gray core, small to medium white and gray grits, thumb indentations on outer edge of rim, medium fired
12	B VIb	D	II	1331	12995	Light brown fabric, light gray core, small white and gray grits, thumb indentations on outer edge of rim, well fired
13	B VIb	J	II	2013	20035	Brown fabric, brown-gray core, small to medium white grits, thumb indentations on outer edge of rim, poorly fired, two drilled holes below rim

Fig. 1.32 ►

<i>No.</i>	<i>Type</i>	<i>Area</i>	<i>Stratum</i>	<i>Locus</i>	<i>Basket</i>	<i>Description</i>
1	B VII	D	II	1331	12295	Light brown fabric, light gray-brown core, small white and gray grits, red wash on exterior and interior, well fired
2	B VII	D	II	589	5207/2	Light brown fabric, light gray-brown core, small white and gray grits, red wash on exterior and interior, medium fired
3	B VII	D	II	1325	12265/1	Light brown fabric, light gray-brown core, small white and gray grits, red wash on exterior and interior, medium fired
4	B VII	D	II	589	5207/3	Light brown fabric, light gray-brown core, small white and gray grits, red wash on exterior and interior, well fired
5	B IX	D	II	1265	12159/1	Brown-orange fabric, orange-gray core, small white grits, well fired
6	B IX	D	II	1282	12160/1	Light brown fabric, gray-brown core, small to medium white and gray grits, well fired
7	H I	D	II	1265	10159	Dark brown fabric, brown-gray core, small to large white grits, medium fired
8	H I	H	II	4017	40041/1	Light brown fabric, light gray core, small to medium white and gray grits, medium fired
9	H I	D	II	1255	12133	Dark brown fabric, gray core, small to medium white and gray grits, medium fired
10	H II	D	II	569	5192	Cream-orange fabric, light gray core, small to medium white and gray grits, diagonal thumb impressions on rim, plastic knob below rim, well fired
11	H III	D	II	1265	12134	Light gray-brown fabric, brown-gray core, small to medium white and gray grits, well fired
12	H III	D	II	1263	12130	Light brown fabric, brown-gray core, small to medium white and gray grits, well fired
13	H III	D	II	1233	12070	Light brown-orange fabric, brown-gray core, small white grits, well fired
14	H III	L	II	6120	60375	Light brown-orange fabric, brown-gray core, small to medium white and gray grits, medium fired

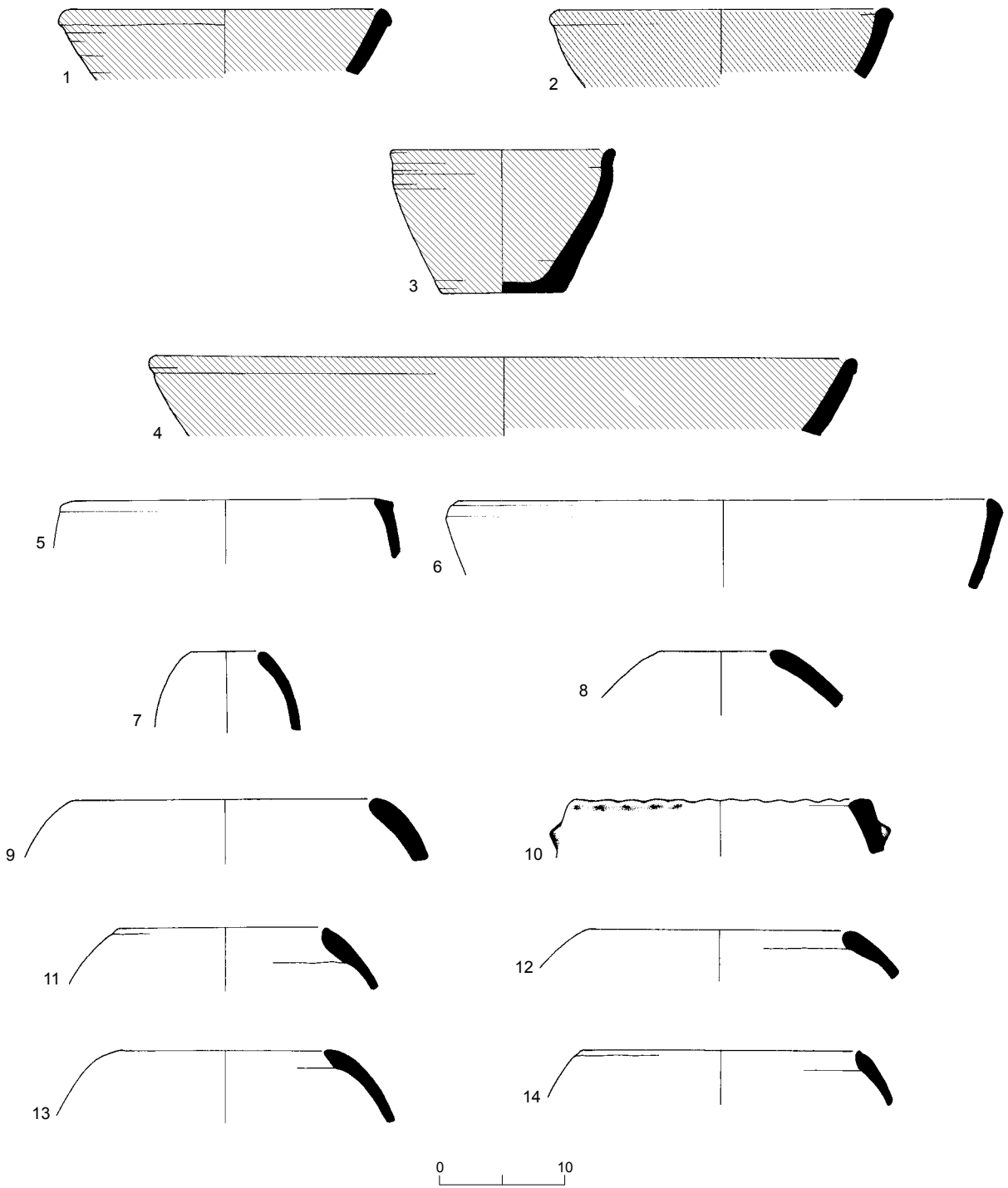


Fig. 1.32. Stratum II: bowls and holemouth jars.

Fig. 1.33 ►

<i>No.</i>	<i>Type</i>	<i>Area</i>	<i>Stratum</i>	<i>Locus</i>	<i>Basket</i>	<i>Description</i>
1	H III	K	II	5103	50325	Brown fabric, gray core, small to medium white and gray grits, applied rope decoration below rim, medium fired
2	H V	D	II	518	5031/2	Light brown fabric, brown-gray core, small white grits, well fired
3	H V	D	II	1015	10268	Light brown fabric, brown-gray core, small white grits, well fired
4	H VIII	D	II	1227	12065	Dark brown fabric, dark gray core, small to medium white and gray grits, scalloped decoration on rim, medium fired
5	H VIII	L	II	6016	60031	Brown-orange fabric, gray core, small white grits, scalloped decoration on rim, well fired
6	SJ II	K	II	5012	50012	Orange-brown fabric, light brown-gray core, small to medium white and gray grits, thumb indentations, medium fired
7	SJ IV	D	II	1282	12160/2	Light brown fabric, dark gray core, small to medium white and gray grits, thumb indentations, medium fired
8	SJ Va	D	II	1293	12191	Brown-gray fabric, brown-gray core, small to medium white and gray grits, medium fired
9	SJ Va	D	II	1265	12159/2	Brown-gray fabric, brown-gray core, small to medium white and gray grits, medium fired
10	SJ Vb	D	II	1136	10495	Brown fabric, dark gray core, small to medium white and gray grits, medium fired
11	SJ VI	D	II	510	5023	Light brown fabric, gray core, small white grits, white wash on exterior, well fired
12	SJ VIII	D	II	529	5075	Light brown fabric, gray core, small white grits, well fired
13	SJ VIII	D	II	564	5156	Light brown-red fabric, gray core, small to medium white and gray grits, red wash on exterior, well fired
14	SJ VIII	D	II	1233	12060	Light red-brown fabric, brown-gray core, small white grits, well fired
15	SJ IX	D	II	1224	12260	Light brown fabric, light brown-gray core, small white and gray grits, thumb indentations on rim, medium fired

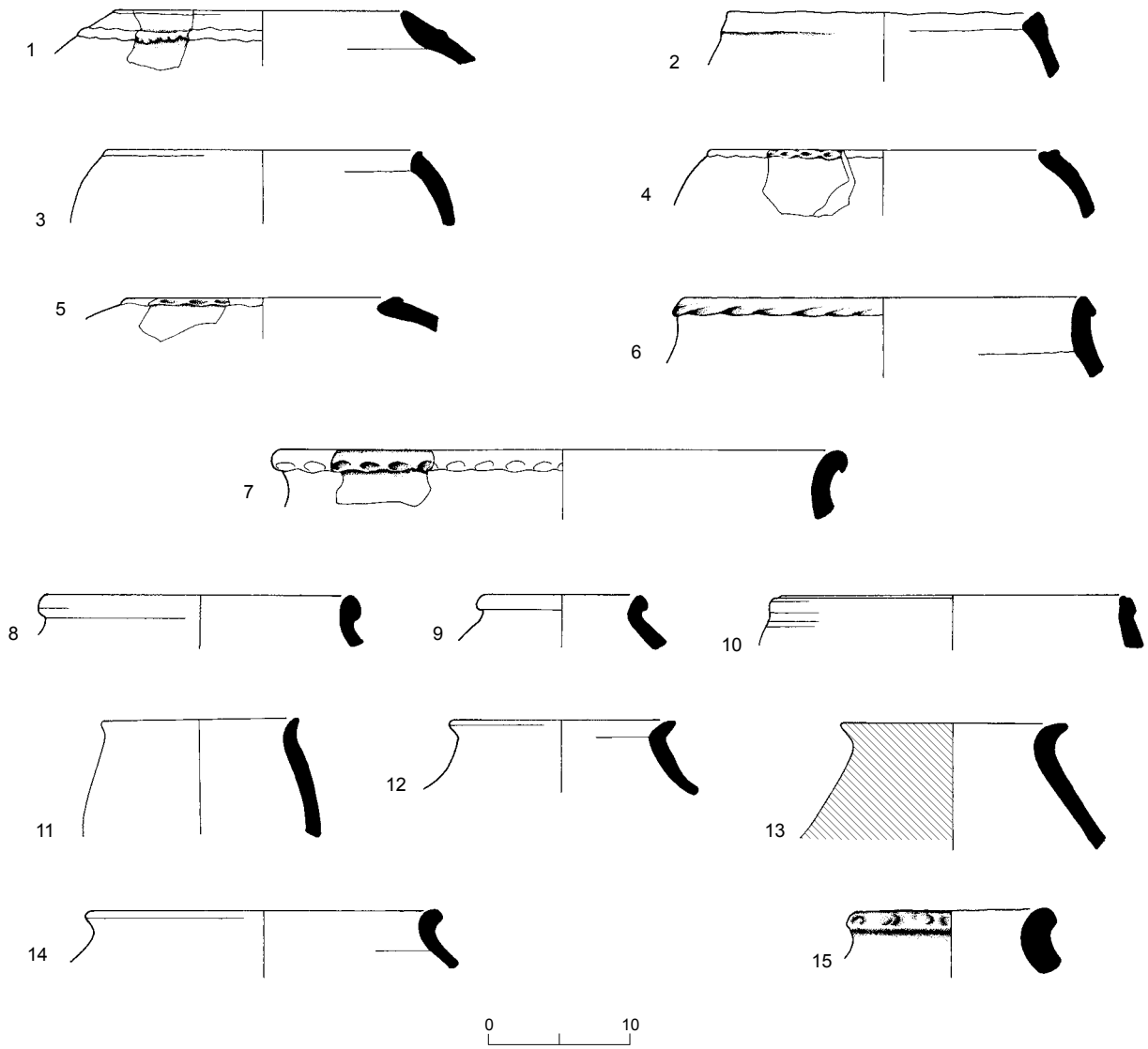


Fig. 1.33. Stratum II: holemouth and storage jars.

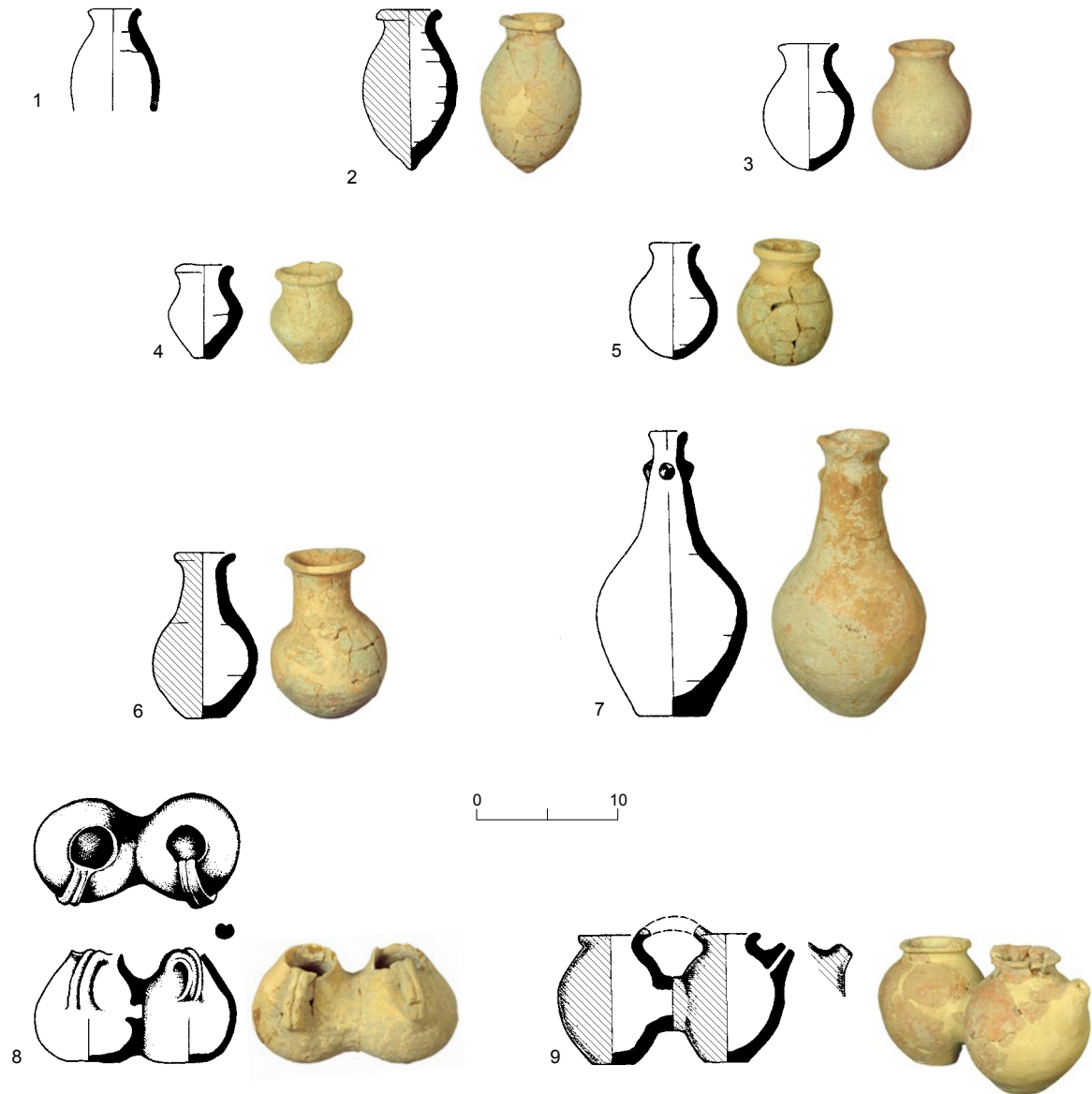


Fig. 1.34. Stratium II: juglets.

No.	Type	Area	Stratum	Locus	Basket	Description
1	JT	K	II	5098	50236	Brown fabric, light brown-gray core, small to medium white and gray grits, medium fired
2	JT	D	II	1327	12257/1	Light brown fabric, light brown-gray core, small white and gray grits, red wash on exterior, medium fired
3	JT	D	II	1327	12254	Light brown fabric, small white and gray grits, medium fired
4	JT	D	II	1327	12259	Light brown fabric, light brown core, small white and gray grits, poorly fired
5	JT	D	II	1327	12258	Light brown fabric, light brown-gray core, small white grits, poorly fired
6	JT	D	II	1327	12257/2	Light brown fabric, light brown-gray core, small white grits, red wash on exterior, medium fired
7	JT	D	II	1327	12261	Brown fabric, light brown-gray core, small white and gray grits, applied plastic knobs on neck, medium fired
8	JT	D	II	1327	12255	Light brown fabric, light brown core, small white grits, medium fired
9	JT	D	II	1325	12265/2	Light brown fabric, light brown-gray core, small white and gray grits, red wash on exterior, well fired

Fig. 1.35 ►

<i>No.</i>	<i>Type</i>	<i>Area</i>	<i>Stratum</i>	<i>Locus</i>	<i>Basket</i>	<i>Description</i>
1	JG	D	II	1328	12262	Light brown fabric, light brown-gray core, small white grits, well fired
2	JG	D	II	1325	12242	Light brown fabric, light brown-gray core, small white and gray grits, red wash on exterior, medium fired
3	Small vessel	D	II	1327	12256/1	Light brown fabric, light brown-gray core, small white and gray grits, red wash on exterior, medium fired
4	Small vessel	D	II	1327	12256/2	Light brown fabric, light brown-gray core, small white and gray grits, red wash on exterior, medium fired
5	LH II	H1	II	4017	40041/2	Light brown fabric, light brown-gray core, small to medium white and gray grits, medium fired
6	Decorated handle	D	II	1224	12052	Light brown fabric, brown-gray core, small to large white and gray grits, impressed horizontal line on exterior, medium fired
7	Decorated handle	D	II	1297	12194	Light brown fabric, gray core, small white grits, impressed horizontal lines on exterior, medium fired
8	Double Lug handle	D	II	530	5083	Light cream-brown fabric, light brown core, small to medium brown grits, medium fired
9	Small Egyptian jar	L	II	6025	60065	Orange-brown fabric, orange brown core, applied wavy coil decoration on exterior, pale cream slip on exterior, well fired

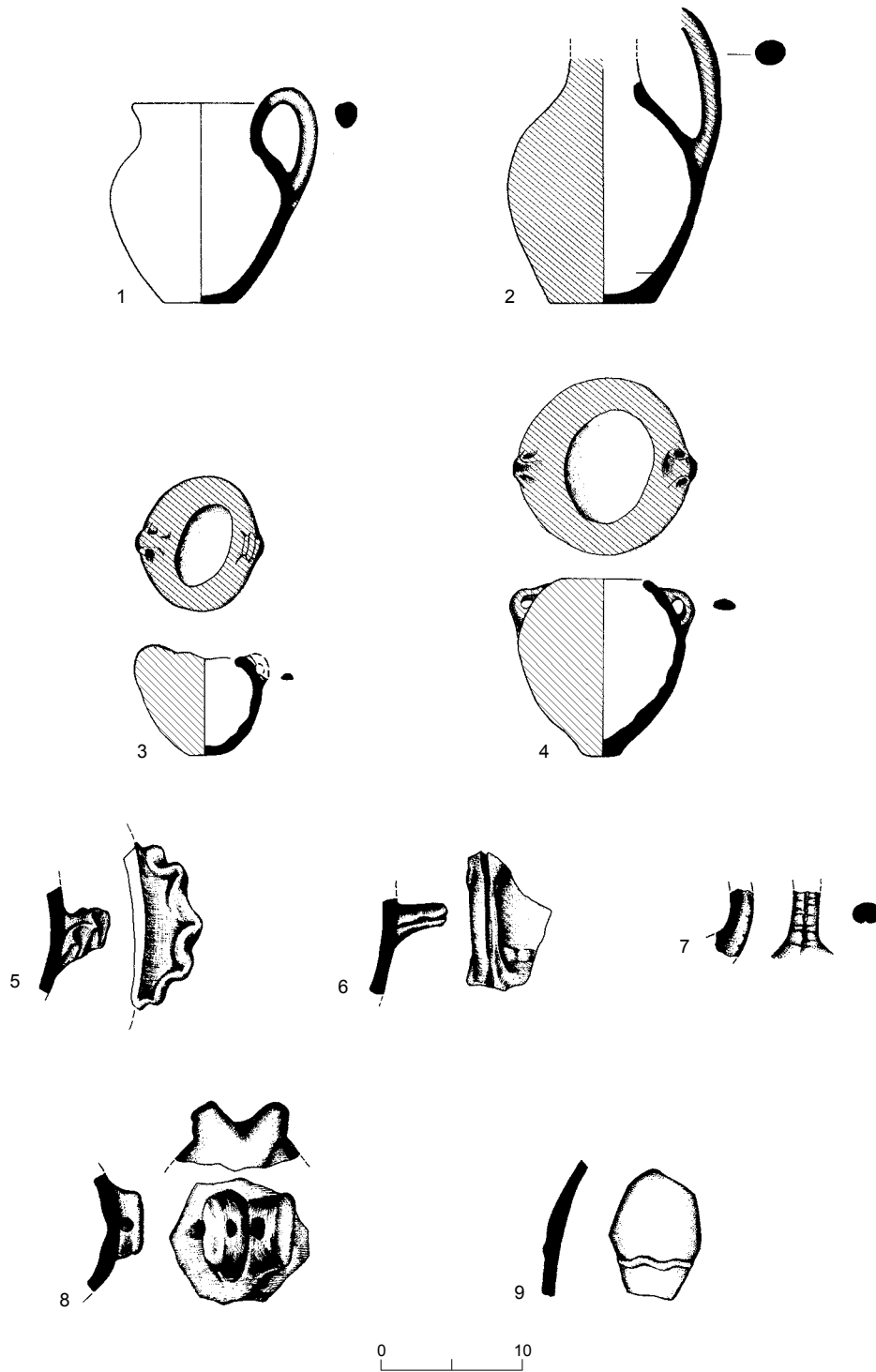


Fig. 1.35. Stratum II: jugs and varia.

REFERENCES

- Alon D. and Yekutieli Y. 1995. The Tel Halif Terrace ‘Silo Site’ and Its Implications for the Early Bronze Age I. *‘Atiqot* 27:149–189.
- Amiran R. 1969. *Ancient Pottery of the Holy Land, from Its Beginnings in the Neolithic Period to the End of the Iron Age*. Jerusalem–Ramat Gan.
- Amiran R. 1985. Canaanite Merchants in Tombs of the Early Bronze Age I at Azor. *‘Atiqot (ES)* 17:190–192.
- Baumgarten Y.Y. 2004. An Excavation at Ashqelon, Afridar—Area J. *‘Atiqot* 45:161–184.
- Boaretto E. 2019. Radiocarbon Dating of Archaeobotanical Samples. *AB I*. Pp. 271–274.
- Braun E. 2011. The Transition from Chalcolithic to Early Bronze I in the Southern Levant: A “Lost Horizon” Slowly Revealed. In J.L. Lovell and Y.M. Rowan eds. *Culture, Chronology and the Chalcolithic: Theory and Transition (Levant Suppl. S. 9)*. Oxford–Oakville. Pp. 160–177.
- Braun E., Brink E.C.M. van den., Regev J., Boaretto E. and Bar S. 2013. Aspects of Radiocarbon Determinations and the Dating of the Transition from the Chalcolithic Period to the Early Bronze Age I in the Southern Levant. In E. Braun and V. Roux eds. *The Transition Late Chalcolithic to Early Bronze Age in the Southern Levant (Paléorient 39/1)*. Paris. Pp. 23–46.
- Braun E. and Gophna R. 2004. Excavations at Ashqelon, Afridar—Area G. *‘Atiqot* 45:185–241.
- Brink E.C.M. van den. 2011. Continuity and Change—Cultural Transmission in the Late Chalcolithic–Early Bronze Age I: A View from Early Modi‘in, a Late Prehistoric Site in Central Israel. In J.L. Lovell and Y.M. Rowan eds. *Culture, Chronology and the Chalcolithic: Theory and Transition (Levant Suppl. S. 9)*. Oxford–Oakville. Pp. 61–70.
- Brink E.C.M. van den, Horwitz L.K., Kool R., Liphschitz N., Mienis H.K. and Zbenovich V. 2015. Excavations at Tel Lod: Remains from the Pottery Neolithic A, Chalcolithic, Early Bronze Age I, Middle Bronze Age I and Byzantine Periods. *‘Atiqot* 82:141–218.
- Commége-Pellerin C. 1987. *La poterie d’Abou Matar et de l’Ouadi Zoumeili (Beershéva) au IV^e millénaire avant l’ère chrétienne (Les Cahiers du CRFJ 3)*. Paris.
- Dessel J.P. 2009. *Lahav I: Pottery and Politics; The Halif Terrace Site 101 and Egypt in the Fourth Millennium B.C.E.* (Reports of the Lahav Research Project Excavations at Tell Halif, Israel I). Winona Lake.
- Golani A. 2003. *Salvage Excavations at the Early Bronze Age Site of Qiryat Ata (IAA Reports 18)*. Jerusalem.
- Golani A. 2004. Salvage Excavations at the Early Bronze Age Site of Ashqelon, Afridar—Area E. *‘Atiqot* 45:9–62.
- Golani A. 2008. The Early Bronze Age Site of Ashqelon, Afridar—Area M. *‘Atiqot* 60:19–51.
- Golani A. 2013. The Transition from the Late Chalcolithic to the Early Bronze I in Southwestern Canaan—Ashqelon as a Case for Continuity. In E. Braun and V. Roux eds. *The Transition Late Chalcolithic to Early Bronze Age in the Southern Levant. (Paléorient 39/1)*. Paris. Pp. 95–110.
- Golani A. 2018. Ashqelon. *HA–ESI* 130 (May 28). http://www.hadashot-esi.org.il/Report_Detail_Eng.aspx?id=25425&mag_id=126 (accessed August 2, 2021).
- Golani A. 2019a. Architecture and Settlement Planning. *AB I*. Pp. 249–269.

- Golani A. 2019b. The Stratigraphy. *AB I*. Pp. 37–247.
- Golani A. 2022. The Late Chalcolithic–Early Bronze I Transition and the Ashqelon Occupational Sequence. In M.J. Adams and V. Roux eds. *Transitions during the Early Bronze Age in the Levant: Methodological Problems and Interpretive Perspectives (Ägypten und Altes Testament 109)*. Münster. Pp. 37–59.
- Golani A. and Brink van den E.C.M. 1999. Salvage Excavations at the Early Bronze Age IA Settlement of Azor. *‘Atiqot* 38:1–49.
- Golani A. and Pasternak M.D. 2020. Ashqelon, Afridar Area O-2: Early Bronze Age IA Remains. Extended Report. *HA–ESI* 132 (December 30). http://www.hadashot-esi.org.il/Report_Detail_Eng.aspx?id=25875&mag_id=128 (accessed March 22, 2021).
- Gophna R. 1976. Excavations at ‘En Besor. *‘Atiqot (ES)* 11:1–9.
- Gophna R. 1990. The Early Bronze I Settlement at ‘En Besor Oasis. *IEJ* 40:1–11.
- Gophna R. 2002. Afridar 1968: Soundings in an EB I Occupation of the “Erani C” Horizon. In E.D. Oren and S. Ahituv. *Aharon Kempinski Memorial Volume: Studies in Archaeology and Related Disciplines* (Beer-Sheva XV). Be’er Sheva’. Pp. 129–137.
- Goren Y. and Zuckerman S. 2000. An Overview of the Typology, Provenance and Technology of the Early Bronze Age I ‘Grey Burnished Ware’. In G. Philip and D. Baird eds. *Ceramics and Change in the Early Bronze Age of the Southern Levant* (Levantine Archaeology 2). Sheffield. Pp. 165–182.
- Hamilton T.P. 1993. Economics with an Entrepreneurial Spirit: Early Bronze Trade with Late Predynastic Egypt. *BA* 56:81–93.
- Jucha M.A. 2008. Wavy-Handled and Cylindrical Jars in the Nile Delta—A View from Tell el-Farkha. *Studies in Ancient Art and Civilisation* 12:63–74.
- Kempinski A. and Gilead I. 1991. New Excavations at Tel Erani: A Preliminary Report of the 1985–1988 Seasons. *Tel Aviv* 18:164–191.
- Khalaily H. 2004. An Early Bronze Age Site at Ashqelon, Afridar—Area F. *‘Atiqot* 45:121–159.
- Levy T.E. ed. 1987. *Shiqmim I: Studies concerning Chalcolithic Societies in the Northern Negev Desert, Israel (1982–1984)* (BAR Int. S. 356). Oxford.
- Macdonald E. 1932. *Beth Pelet II: Prehistoric Fara* (BSAE LII). London.
- Mazar A. and Miroschedji P. de. 1996. Hartuv, an Aspect of the Early Bronze I Culture of Southern Israel. *BASOR* 302:1–40.
- Oren E.D. and Yekutieli Y. 1992. Taur Ikhbeineh: Earliest Evidence for Egyptian Interconnections. In E.C.M. van den Brink ed. *The Nile Delta in Transition: 4th–3rd Millennium B.C. (Proceedings of the Seminar Held in Cairo, 21.–24. October 1990, at the Netherlands Institute of Archaeology and Arabic Studies)*. Tel Aviv. Pp. 361–384.
- Paz Y. and Iserlis M. 2009. Golanite Production and Distribution Center of Cooking Pots during Early Bronze Age II. In S.A. Rosen and V. Roux eds. *Techniques and People: Anthropological Perspectives on Technology in the Archaeology of the Proto-Historic and Early Historic Periods in the Southern Levant* (Mémoires et travaux du Centre de recherches préhistoriques français de Jérusalem 9). Paris. Pp. 99–110.
- Petrie W.M.F. 1921. *Corpus of Prehistoric Pottery and Palettes* (BSAE XXIII). London.

- Pumpenmeier F. 1998. Ägyptische Keramik. In G. Dreyer. *Umm el-Qaab I: Das prädynastische Königsgrab U-j und seine frühen Schriftzeugnisse* (Deutsches Archäologisches Institut, Abteilung Kairo 86). Mainz. Pp. 21–91.
- Regev J., Miroshedji P. de., Greenberg R., Braun E., Greenhut Z. and Boaretto E. 2012. Chronology of the Early Bronze Age in the Southern Levant: New Analysis for a High Chronology. *Radiocarbon* 54:525–566.
- Roshwalb A.F. 1981. *Protohistory in Wadi Ghazze: A Typological and Technological Study Based on the Macdonald Excavations*. Ph.D. diss. University of London. London.
- Tufnell O. 1958. *Lachish (Tell ed-Duweir) IV: The Bronze Age* (The Wellcome Archaeological Research Expedition to the Near East Publications IV) (2 vols.). London–New York–Toronto.
- Wright G.E. 1958. The Problem of the Transition between the Chalcolithic and Bronze Ages. *Eretz-Israel* 5:37*–45*.
- Yekutieli Y. 1992. *The Early Bronze Age IA of Southwestern Canaan: Settlement, Economy and Society*. M.A. thesis. Tel Aviv University. Tel Aviv (Hebrew).
- Yekutieli Y. 2000. Early Bronze Age I Pottery in Southwestern Canaan. In G. Philip and D. Baird eds. *Ceramics and Change in the Early Bronze Age of the Southern Levant* (Levantine Archaeology 2). Sheffield. Pp. 129–152.
- Yekutieli Y. 2001. The Early Bronze Age IA of Southwestern Canaan. In S.R. Wolff ed. *Studies in the Archaeology of Israel and Neighboring Lands in Memory of Douglas L. Esse* (SAOC 59/ASOR Books 5). Chicago–Atlanta. Pp. 659–688.
- Yekutieli Y. 2006. The Ceramics of Tel ‘Erani, Layer C. *Journal of the Serbian Archaeological Society* 22:225–242.
- Yekutieli Y. and Gophna R. 1994. Excavations at an Early Bronze Age Site near Nizzanim. *Tel Aviv* 21:162–185.

APPENDIX 1.1: CERAMIC TYPE FREQUENCIES ACCORDING TO AREA AND STRATUM

Table 1.8. Bowls: Area A

Type Stratum	<i>B Ia</i>	<i>B Ib</i>	<i>B III</i>	<i>B VIa</i>	<i>B VII</i>	<i>Total</i>
IV	1		1		2	4
III	2	1		1	8	12
<i>Total</i>	3	1	1	1	10	16

Stratum IV (Loci 152, 155, 156, 3036)

Stratum III (Loci 132, 133, 137, 148, 157, 3016, 3026, 3029, 3071, 3089)

Table 1.9. Bowls: Area B

Type Stratum	<i>B Ia</i>	<i>B II</i>	<i>B III</i>	<i>B VIa</i>	<i>B VIb</i>	<i>B VII</i>	<i>B X</i>	<i>Total</i>
IV	12		1			1	1	15
III	21	3	2	3	2	13	1	45
<i>Total</i>	33	3	3	3	2	14	2	60

Stratum IV (Loci 214B, 218, 227, 247, 248, 249, 256, 261, 272, 326, 327)

Stratum III (Loci 200, 202, 205, 214A, 217, 219, 220, 223, 230, 231, 233, 234, 236, 237, 245, 253, 257, 277, 279, 281, 287, 289, 291, 307, 322, 328)

Table 1.10. Bowls: Area D

Type Stratum	<i>B Ia</i>	<i>B Ib</i>	<i>B II</i>	<i>B III</i>	<i>B V</i>	<i>B VIa</i>	<i>B VIb</i>	<i>B VII</i>	<i>B VIII</i>	<i>B IX</i>	<i>B X</i>	<i>Total</i>
IV	25		12	5	2			51				95
III	106	6	12	30	3	9	5	219	5	2	5	402
II	27	1	8	13	4	4	4	96	4	2		163
<i>Total</i>	158	7	32	48	9	13	9	366	9	4	5	660

Stratum IV (Loci 1035, 1041, 1043, 1060, 1072, 1073, 1074A, 1084, 1088, 1117, 1126A, 1231, 1250, 1295, 1298, 1306, 1317, 1335, 1345, 1351, 1358, 1362)

Stratum III (Loci 506, 516, 521, 531, 532, 536, 537, 544, 546, 568, 572, 577, 580, 583, 584, 588, 591, 592, 596, 599, 1000, 1001, 1011, 1012, 1013, 1016, 1017, 1019, 1020, 1027, 1030, 1032, 1034, 1037, 1048, 1049, 1050, 1052, 1055, 1059, 1076, 1078, 1081, 1085, 1086, 1087, 1090, 1093, 1096, 1097, 1098, 1099, 1100, 1101, 1102, 1104, 1107, 1110, 1112, 1113, 1115, 1119, 1123, 1125, 1128, 1129, 1133, 1134, 1137, 1139, 1140, 1142, 1144, 1216, 1217, 1220, 1223, 1237, 1239, 1242, 1248, 1258, 1261, 1269, 1275, 1276, 1279, 1281, 1283, 1284, 1289, 1290, 1294, 1299, 1304, 1307, 1310, 1313, 1315, 1316, 1318, 1322, 1323, 1324, 1329, 1341, 1342, 1344, 1346, 1349, 1350, 1352, 1353, 1354, 1355, 1357, 1359, 1361, 1366)

Stratum II (Loci 512, 518, 524, 530, 557, 564, 567, 569, 581, 589, 593, 595, 1015, 1021, 1026, 1028, 1054, 1080, 1092, 1135, 1136, 1203, 1210, 1214, 1218, 1219, 1221, 1224, 1226, 1227, 1228, 1232, 1245, 1252, 1254, 1255, 1256, 1263, 1265, 1271, 1282, 1287, 1293, 1308, 1320, 1325, 1327, 1328, 1331)

Table 1.11. Bowls: Area G

<i>Stratum</i> \ <i>Type</i>	<i>B Ia</i>	<i>B Ib</i>	<i>B II</i>	<i>B III</i>	<i>B V</i>	<i>B VIa</i>	<i>B VIb</i>	<i>B VII</i>	<i>B X</i>	<i>Total</i>
IV	54		3	1	1	10	1	9	1	80
III	44	2	2	2	1	9	5	12		77
<i>Total</i>	98	2	5	3	2	19	6	21	1	157

Stratum IV (Loci 815, 865, 869, 870, 897, 914B, 918, 920B, 935, 938, 976, 979, 991, 992, 993, 995, 1406, 1409, 1410, 1411, 1413, 1414, 1418, 1430, 1434)

Stratum III (Loci 816, 826, 833, 836, 840, 843, 844, 862, 882, 888, 912, 916, 917, 921, 922, 928, 929, 939, 940, 941, 942, 944, 950, 956, 958, 962, 973, 1417)

Table 1.12. Bowls: Area H

<i>Stratum</i> \ <i>Type</i>	<i>B Ia</i>	<i>B II</i>	<i>B III</i>	<i>B V</i>	<i>B VIa</i>	<i>B VIb</i>	<i>B VII</i>	<i>B X</i>	<i>Total</i>
IV	11	2	2		1	1	3	1	21
III	36	4	1	2	7		13		63
II							1		1
<i>Total</i>	47	6	3	2	8	1	17	1	85

Stratum IV (Loci 3096, 3098, 3100, 3108, 3110, 4046B, 4057, 4147, 4182)

Stratum III (Loci 140, 153, 3060, 3071, 4021, 4023, 4026, 4027, 4029, 4030, 4036, 4046A, 4048, 4054, 4058, 4060, 4063, 4068, 4069, 4070, 4072, 4078, 4079, 4081, 4104, 4109, 4124, 4129, 4140, 4151, 4167, 4169, 4171, 4196)

Stratum II (Locus 4041)

Table 1.13. Bowls: Area I

<i>Stratum</i> \ <i>Type</i>	<i>B Ia</i>	<i>B II</i>	<i>B III</i>	<i>B VIa</i>	<i>B VII</i>	<i>Total</i>
IV	6	3		1	6	16
III	3	1	1	1	9	15
<i>Total</i>	9	4	1	2	15	31

Stratum IV (Loci 2067, 2073, 2075, 2080, 2094, 2101, 2108)

Stratum III (Loci 2045, 2056, 2059, 2063, 2068, 2085, 2100, 2109, 2114, 2129)

Table 1.14. Bowls: Area J

<i>Stratum</i> \ <i>Type</i>	<i>B Ia</i>	<i>B Ib</i>	<i>B II</i>	<i>B III</i>	<i>B VIa</i>	<i>B VIb</i>	<i>B VII</i>	<i>Total</i>
III	11		4	2	4		7	28
II	1	1				1		3
<i>Total</i>	12	1	4	2	4	1	7	31

Stratum III (Loci 2007, 2010, 2011, 2014, 2015, 2029, 2030, 2033, 2034, 2041, 2043, 2064, 2066, 2092)

Stratum II (Loci 2013, 2065)

Table 1.15. Bowls: Area K

<i>Stratum</i> \ <i>Type</i>	<i>B Ia</i>	<i>B Ib</i>	<i>B II</i>	<i>B III</i>	<i>B VIa</i>	<i>B VIb</i>	<i>B VII</i>	<i>B IX</i>	<i>Total</i>
III	7	1	5	4	5	1	8		31
II	3		1		2		3	1	10
<i>Total</i>	10	1	6	4	7	1	11	1	41

Stratum III (Loci 5023, 5027, 5045, 5052, 5061, 5110, 5113, 5119, 5122, 5123, 5125, 5143, 5152A, 5164, 5179)

Stratum II (Loci 5012, 5014, 5043, 5079, 5088, 5090, 5100, 5111, 5114, 5121, 5145)

Table 1.16. Bowls: Area L

<i>Stratum</i> \ <i>Type</i>	<i>B Ia</i>	<i>B II</i>	<i>B III</i>	<i>B VIa</i>	<i>B VIb</i>	<i>B VII</i>	<i>B VIII</i>	<i>B IX</i>	<i>Total</i>
IV	9	2	1	2	1	2			17
III	7	2	4			11	1	1	26
II	1				1	4			6
<i>Total</i>	17	4	5	2	2	17	1	1	49

Stratum IV (Loci 6031, 6033, 6049, 6086, 6087, 6099, 6103, 6121, 6163, 6169, 6182, 6207, 6220, 6221, 6225)

Stratum III (Loci 6020, 6026, 6036, 6037, 6063, 6069, 6070, 6076, 6080, 6081, 6122, 6147, 6148, 6153, 6158, 6210)

Stratum II (Loci 6016, 6019, 6048, 6058, 6215)

Table 1.17. Bowls: Area M

<i>Stratum</i> \ <i>Type</i>	<i>B Ia</i>	<i>B II</i>	<i>B III</i>	<i>B VIa</i>	<i>B VIb</i>	<i>B VII</i>	<i>B IX</i>	<i>Total</i>
IV	16	1	2	4				23
III	14	4	4	1	7	3	1	34
<i>Total</i>	30	5	6	5	7	3	1	57

Stratum IV (Loci 7026, 7029, 7038, 7043, 7044, 7064, 7076, 7078, 7106, 7113, 7118, 7119, 7121, 7149)

Stratum III (Loci 235, 7010, 7015, 7018, 7020, 7022, 7024, 7025, 7028, 7037, 7045, 7056, 7066, 7068, 7079, 7080, 7084, 7092, 7097, 7098, 7122, 7126, 7138, 7145)

Table 1.18. Holemouth Jars: Area A

<i>Stratum</i> \ <i>Type</i>	<i>H I</i>	<i>H II</i>	<i>H IVa</i>	<i>H V</i>	<i>H VI</i>	<i>H VII</i>	<i>H VIII</i>	<i>Total</i>
IV	1		1				1	3
III		1		2	1	1	3	8
<i>Total</i>	1	1	1	2	1	1	4	11

Stratum IV (Loci 156, 3077, 3107)

Stratum III (Loci 122, 134, 157, 3018, 3035, 3057)

Table 1.19. Holemouth Jars: Area B

Type Stratum	H I	H II	H IVa	H V	H VI	H VII	H VIII	Total
IV	7	3				1	1	12
III	4	2	3	3	2	1	6	21
Total	11	5	3	3	2	2	7	33

Stratum IV (Loci 214B, 218, 248, 260, 272, 282, 310, 326)

Stratum III (Loci 200, 205, 208, 213, 214A, 217, 220, 223, 231, 233A, 237, 245, 268, 285, 315, 322, 325)

Table 1.20. Holemouth Jars: Area D

Type Stratum	H I	H II	H III	H IVa	H IVb	H V	H VI	H VII	H VIII	Total
IV	2			4		3	9	1	13	32
III	34	23	12	11	9	22	15	2	82	210
II	21	16	12		3	1	4		31	88
Total	57	39	24	15	12	26	28	3	126	330

Stratum IV (Loci 538, 543, 548, 1035, 1040, 1046, 1060, 1084, 1088, 1117, 1126A, 1229, 1298, 1317, 1345, 1351, 1358, 1362, 1364)

Stratum III (Loci 519, 537, 551, 573, 577, 587, 588, 591, 592, 599, 1001, 1016, 1017, 1019, 1030, 1032, 1034, 1037, 1048, 1050, 1055, 1071, 1081, 1086, 1087, 1090, 1093, 1096, 1097, 1098, 1099, 1101, 1104, 1110, 1112, 1113, 1114, 1118, 1119, 1123, 1124, 1125, 1128, 1133, 1137, 1139, 1140, 1142, 1216, 1217, 1222, 1237, 1239, 1251, 1261, 1269, 1275, 1281, 1284, 1289, 1313, 1315, 1316, 1318, 1322, 1329, 1342, 1344, 1348, 1349, 1350, 1352, 1353, 1354, 1355, 1357, 1361, 1366, 1369)

Stratum II (Loci 504, 510, 514, 518, 524, 557, 564, 567, 569, 595, 1015, 1021, 1028, 1047, 1054, 1092, 1203, 1208, 1213, 1214, 1224, 1227, 1228, 1233, 1243, 1245, 1252, 1254, 1255, 1263, 1264, 1265, 1282, 1325, 1330, 1331)

Table 1.21. Holemouth Jars: Area G

Type Stratum	H I	H II	H III	H IVa	H IVb	H V	H VI	H VII	H VIII	Total
IV	15	3			2	4	16	1	13	54
III	10	2	1	1		10	5		12	41
Total	25	5	1	1	2	14	21	1	25	95

Stratum IV (Loci 815, 859, 865, 869, 897, 914B, 918, 920B, 935, 938, 959, 970, 974, 979, 991, 993, 1409, 1410, 1414, 1430, 1433, 1437)

Stratum III (Loci 816, 836, 843, 862, 864, 880, 883, 888, 912, 921, 929, 944, 950, 951A, 953, 956, 962, 994, 1417)

Table 1.22. Holemouth Jars: Area H

<i>Type</i> <i>Stratum</i>	<i>H I</i>	<i>H II</i>	<i>H IVa</i>	<i>H IVb</i>	<i>H V</i>	<i>H VI</i>	<i>H VIII</i>	<i>Total</i>
IV	5	3	2	1		3	3	17
III	15	3			5	10	7	40
II	4		v			3		7
<i>Total</i>	24	6	2	1	5	16	10	64

Stratum IV (Loci 3090, 3098, 3100, 3108, 3124, 4057, 4147, 4182)

Stratum III (Loci 140, 3079, 3091, 4023, 4026, 4027, 4030, 4051, 4054, 4058, 4060, 4063, 4068, 4069, 4081, 4096, 4104, 4128, 4131, 4143, 4144, 4167, 4171, 4178, 4194)

Stratum II (Loci 4017, 4020, 4041)

Table 1.23. Holemouth Jars: Area I

<i>Type</i> <i>Stratum</i>	<i>H I</i>	<i>H IVa</i>	<i>H VI</i>	<i>H VII</i>	<i>H VIII</i>	<i>Total</i>
IV		1			2	3
III	2		1	1	1	5
<i>Total</i>	2	1	1	1	3	8

Stratum IV (Locus 2110)

Stratum III (Loci 2048, 2059, 2121, 2129)

Table 1.24. Holemouth Jars: Area J

<i>Type</i> <i>Stratum</i>	<i>H I</i>	<i>H IVb</i>	<i>H V</i>	<i>H VI</i>	<i>H VIII</i>	<i>Total</i>
III	3	1	2	7	3	16
II	1				2	3
<i>Total</i>	4	1	2	7	5	19

Stratum III (Loci 2010, 2011, 2015, 2030, 2034, 2047, 2050, 2092)

Stratum II (Loci 2038, 2123)

Table 1.25. Holemouth Jars: Area K

<i>Type</i> <i>Stratum</i>	<i>H I</i>	<i>H II</i>	<i>H III</i>	<i>H IVb</i>	<i>H V</i>	<i>H VI</i>	<i>H VIII</i>	<i>Total</i>
III	5	1	1	1	4	2	3	17
II	2	1	2			2		7
<i>Total</i>	7	2	3	1	4	4	3	24

Stratum III (Loci 5018, 5022, 5027, 5032, 5061, 5071, 5080, 5104, 5110, 5112, 5142, 5143, 5149, 5150)

Stratum II (Loci 5008, 5043, 5074, 5079, 5103, 5108)

Table 1.26. Holemouth Jars: Area L

<i>Stratum</i> \ <i>Type</i>	<i>H I</i>	<i>H II</i>	<i>H III</i>	<i>H IVa</i>	<i>H V</i>	<i>H VI</i>	<i>H VIII</i>	<i>Total</i>
IV	4	3				1		8
III	4	4		1	1	2	7	19
II			1		2	1	3	7
<i>Total</i>	8	7	1	1	3	4	10	34

Stratum IV (Loci 6086, 6113, 6117, 6134, 6182, 6186)

Stratum III (Loci 6020, 6026, 6036, 6037, 6074, 6076, 6081, 6101, 6126, 6151, 6170, 6206)

Stratum II (Loci 6016, 6048, 6051, 6120)

Table 1.27. Holemouth Jars: Area M

<i>Stratum</i> \ <i>Type</i>	<i>H I</i>	<i>H II</i>	<i>H IVa</i>	<i>H IVb</i>	<i>H V</i>	<i>H VI</i>	<i>H VIII</i>	<i>Total</i>
IV	3	2	2	2		6	2	17
III	6	2	1	1	1	7	5	23
<i>Total</i>	9	4	3	3	1	13	7	40

Stratum IV (Loci 7029, 7038, 7064, 7076, 7083, 7103, 7104, 7106, 7118, 7148, 7149)

Stratum III (Loci 7011, 7015, 7024, 7025, 7028, 7037, 7049, 7059, 7066, 7084, 7101, 7114, 7120, 7126, 7129, 7142)

Table 1.28. Storage Jars: Area A

<i>Stratum</i> \ <i>Type</i>	<i>SJ IV</i>	<i>SJ V</i>	<i>SJ VI</i>	<i>SJ VIII</i>	<i>Total</i>
IV	1		3		4
III		1	2	1	4
<i>Total</i>	1	1	5	1	8

Stratum IV (Loci 156, 3036)

Stratum III (Loci 130, 132, 3015, 3016)

Table 1.29. Storage Jars: Area B

<i>Stratum</i> \ <i>Type</i>	<i>SJ Ib</i>	<i>SJ II</i>	<i>SJ III</i>	<i>SJ VI</i>	<i>SJ VIII</i>	<i>Total</i>
IV		1		1		2
III	1	6	1	3	3	14
<i>Total</i>	1	7	1	4	3	16

Stratum IV (Loci 241, 249, 272, 283, 293)

Stratum III (Loci 202, 203, 206, 232, 233B, 245, 251, 268, 307)

Table 1.30. Storage Jars: Area D

<i>Type</i> <i>Stratum</i>	<i>SJ Ia</i>	<i>SJ Ib</i>	<i>SJ II</i>	<i>SJ III</i>	<i>SJ IV</i>	<i>SJ Va</i>	<i>SJ Vb</i>	<i>SJ VI</i>	<i>SJ VII</i>	<i>SJ VIII</i>	<i>SJ IX</i>	<i>Total</i>
IV	3		1			10	1	16	1	24		56
III	2	7	11	1	5	132	4	77	9	71		319
II					1	38	2	49	9	14	1	114
<i>Total</i>	5	7	12	1	6	180	7	142	19	109	1	489

Stratum IV (Loci 538, 543, 547, 548, 1035, 1040, 1041, 1043, 1046, 1060, 1072, 1073, 1083, 1088, 1095, 1117, 1126A, 1231, 1250, 1295, 1298, 1306, 1317, 1335, 1345, 1351, 1358, 1362)

Stratum III (Loci 516, 531, 536, 540, 546, 551, 572, 573, 577, 580, 584, 585, 587, 588, 591, 592, 594, 596, 597, 599, 1000, 1001, 1011, 1012, 1013, 1016, 1017, 1019, 1020, 1023, 1027, 1029, 1030, 1032, 1034, 1037, 1039, 1048, 1049, 1050, 1052, 1055, 1057, 1059, 1078, 1086, 1087, 1090, 1097, 1098, 1100, 1101, 1102, 1104, 1106, 1107, 1108, 1112, 1114, 1124, 1125, 1128, 1129, 1133, 1134, 1137, 1138, 1140, 1142, 1216, 1220, 1222, 1223, 1237, 1242, 1248, 1258, 1261, 1268, 1269, 1276, 1281, 1283, 1284, 1289, 1290, 1294, 1299, 1304, 1307, 1310, 1313, 1315, 1316, 1318, 1322, 1324, 1329, 1341, 1344, 1346, 1347, 1349, 1350, 1352, 1353, 1354, 1355, 1357, 1361, 1366)

Stratum II (Loci 504, 510, 524, 529, 530, 557, 564, 569, 579, 589, 593, 595, 1015, 1028, 1047, 1053, 1054, 1080, 1092, 1135, 1136, 1203, 1208, 1218, 1219, 1221, 1224, 1225, 1227, 1228, 1232, 1233, 1245, 1252, 1264, 1265, 1280, 1282, 1287, 1292, 1293, 1297, 1308, 1320, 1325, 1326, 1331)

Table 1.31. Storage Jars: Area G

<i>Type</i> <i>Stratum</i>	<i>SJ Ib</i>	<i>SJ II</i>	<i>SJ VI</i>	<i>SJ VII</i>	<i>SJ VIII</i>	<i>Total</i>
IV		9	16	2	4	31
III	1	3	18	2	1	25
<i>Total</i>	1	12	34	4	5	56

Stratum IV (Loci 815, 865, 869, 914B, 920B, 927, 935, 976, 979, 991, 993, 1410, 1418, 1428, 1430, 1433)

Stratum III (Loci 816, 843, 875, 917, 921, 928, 930, 939, 940, 950, 957, 994)

Table 1.32. Storage Jars: Area H

<i>Type</i> <i>Stratum</i>	<i>SJ Ia</i>	<i>SJ Ib</i>	<i>SJ II</i>	<i>SJ III</i>	<i>SJ IV</i>	<i>SJ Va</i>	<i>SJ VI</i>	<i>SJ VII</i>	<i>SJ VIII</i>	<i>Total</i>
IV	1		1		1		1	1	4	9
III		3	13	1		2	10	2	7	38
II							1		1	2
<i>Total</i>	1	3	14	1	1	2	12	3	12	49

Stratum IV (Loci 3093, 3110, 4147, 4182, 4192)

Stratum III (Loci 140, 143, 153, 3071, 4021, 4022, 4027, 4030, 4046A, 4036, 4048, 4060, 4063, 4068, 4069, 4070, 4072, 4081, 4097, 4104, 4124, 4131, 4132, 4140, 4171, 4176, 4178, 4196)

Stratum II (Loci 4011, 4017)

Table 1.33. Storage Jars: Area I

<i>Stratum</i> \ <i>Type</i>	<i>SJ Ib</i>	<i>SJ II</i>	<i>SJ III</i>	<i>SJ IV</i>	<i>SJ Va</i>	<i>SJ VI</i>	<i>SJ VII</i>	<i>SJ VIII</i>	<i>Total</i>
IV		2	2	1		1			6
III	1				1	1	4	10	17
<i>Total</i>	1	2	2	1	1	2	4	10	23

Stratum IV (Loci 2067, 2073, 2095, 2102, 2108, 2110)

Stratum III (Loci 2045, 2048, 2056, 2063, 2085, 2100, 2107, 2120, 2125, 2129)

Table 1.34. Storage Jars: Area J

<i>Stratum</i> \ <i>Type</i>	<i>SJ Ib</i>	<i>SJ III</i>	<i>SJ VI</i>	<i>SJ VII</i>	<i>SJ VIII</i>	<i>Total</i>
III	1	1	1	1	4	8
II					2	2
<i>Total</i>	1	1	1	1	6	10

Stratum III (Loci 2007, 2015, 2032, 2034, 2047, 2050, 2091, 2116)

Stratum II (Locus 2038)

Table 1.35. Storage Jars: Area K

<i>Stratum</i> \ <i>Type</i>	<i>SJ II</i>	<i>SJ III</i>	<i>SJ IV</i>	<i>SJ V</i>	<i>SJ VI</i>	<i>SJ VII</i>	<i>SJ VIII</i>	<i>Total</i>
III	1		3	1	5	5	7	22
II	1	1			1		6	9
<i>Total</i>	2	1	3	1	6	5	13	31

Stratum III (Loci 5017, 5027, 5030, 5052, 5071, 5089, 5110, 5113, 5119, 5135, 5148, 5164, 5165)

Stratum II (Loci 5012, 5078, 5081, 5088, 5098, 5114, 5126)

Table 1.36. Storage Jars: Area L

<i>Stratum</i> \ <i>Type</i>	<i>SJ Ia</i>	<i>SJ II</i>	<i>SJ III</i>	<i>SJ VI</i>	<i>SJ VII</i>	<i>SJ VIII</i>	<i>Total</i>
IV			1	2	1	2	6
III	2	1		6		6	15
II	1			1		4	6
<i>Total</i>	3	1	1	9	1	12	27

Stratum IV (Loci 6033, 6086, 6099, 6180, 6207)

Stratum III (Loci 6020, 6029, 6030, 6034, 6037, 6046, 6076, 6081, 6094, 6179)

Stratum II (Loci 6014, 6015, 6016, 6025)

Table 1.37. Storage Jars: Area M

<i>Stratum</i> \ <i>Type</i>	<i>SJ Ia</i>	<i>SJ II</i>	<i>SJ III</i>	<i>SJ VI</i>	<i>SJ VII</i>	<i>Total</i>
IV	2	2	1	12	1	18
III	1	2		13	8	24
<i>Total</i>	3	4	1	25	9	42

Stratum IV (Loci 7026, 7029, 7044, 7060, 7076, 7082, 7083, 7085, 7094, 7113, 7118, 7133, 7148, 7149)

Stratum III (Loci 7011, 7015, 7018, 7025, 7033, 7037, 7059, 7068, 7080, 7092, 7097, 7102, 7120, 7122)

Table 1.38. Jug and Ledge Handle: Area A

<i>Stratum</i> \ <i>Type</i>	<i>JT</i>	<i>LH III</i>	<i>Total</i>
IV		1	1
III	1		1
<i>Total</i>	1	1	2

Stratum IV (Locus 156)

Stratum III (Locus 3015)

Table 1.39. Juglets, Ledge Handles and Cornets: Area B

<i>Stratum</i> \ <i>Type</i>	<i>JT</i>	<i>LH I</i>	<i>LH II</i>	<i>LH III</i>	<i>CT</i>	<i>Total</i>
IV	1		1		1	3
III	1	1	5	3	1	11
<i>Total</i>	2	1	6	3	2	14

Stratum IV (Loci 214B, 227, 326)

Stratum III (Loci 200, 205, 209, 217, 220, 229, 230, 231, 266, 286)

Table 1.40. Juglets, Jugs, Ledge Handles and Cornets: Area D

<i>Stratum</i> \ <i>Type</i>	<i>JT</i>	<i>JG</i>	<i>LH I</i>	<i>LH II</i>	<i>LH III</i>	<i>CT</i>	<i>Total</i>
IV	5			1	9	1	16
III	14	1	2	8	19	3	47
II	27-includes twin vessels	4		9	8		48
<i>Total</i>	46	5	2	18	36	4	111

Stratum IV (Loci 1035, 1073, 1074A, 1082, 1295, 1298, 1306, 1335, 1345, 1351, 1362).

Stratum III (Loci 546, 577, 587, 588, 592, 599, 1001, 1012, 1013, 1016, 1020, 1034, 1050, 1059, 1081, 1086, 1087, 1093, 1096, 1100, 1104, 1107, 1119, 1124, 1139, 1237, 1242, 1289, 1305, 1313, 1318, 1344, 1357, 1361, 1366, 1369)

Stratum II (Loci 530, 564, 569, 581, 595, 1015, 1028, 1053, 1054, 1080, 1203, 1208, 1218, 1224, 1225, 1228, 1245, 1252, 1253, 1254, 1255, 1263, 1264, 1265, 1282, 1308, 1325, 1326, 1327, 1328, 1331)

Table 1.41. Juglets, Ledge Handles and Cornet: Area G

<i>Stratum</i> \ <i>Type</i>	<i>JT</i>	<i>LH I</i>	<i>LH II</i>	<i>LH III</i>	<i>CT</i>	<i>Total</i>
IV	4		2	6		12
III		1	1	8	1	11
<i>Total</i>	4	1	3	14	1	23

Stratum IV (Loci 815, 865, 920B, 935, 979, 993, 1409, 1410, 1430)

Stratum III (Loci 827, 843, 871, 930, 962, 994)

Table 1.42. Juglets, Ledge Handles and Cornet: Area H

<i>Stratum</i> \ <i>Type</i>	<i>JT</i>	<i>LH I</i>	<i>LH II</i>	<i>LH III</i>	<i>CT</i>	<i>Total</i>
IV	2		1	4	1	8
III	3	2	7	3		15
II				1		1
<i>Total</i>	5	2	8	8	1	24

Stratum IV (Loci 3087, 3090, 3098, 3100, 4057, 4147)

Stratum III (Loci 140, 143, 4022, 4069, 4078, 4081, 4087, 4143, 4171, 4178, 4194)

Stratum II (Loci 4017, 4184)

Table 1.43. Juglet and Ledge Handles: Area I

<i>Stratum</i> \ <i>Type</i>	<i>JT</i>	<i>LH III</i>	<i>Total</i>
III	1	2	3

Stratum III (Loci 2100, 2109, 2125)

Table 1.44. Juglet, Ledge Handles and Cornets: Area J

<i>Stratum</i> \ <i>Type</i>	<i>JT</i>	<i>LH III</i>	<i>CT</i>	<i>Total</i>
III	1	7	2	10
II		1		1
<i>Total</i>	1	8	2	11

Stratum III (Loci 2007, 2010, 2015, 2034, 2035, 2041, 2047, 2091, 2130)

Stratum II (Locus 2038)

Table 1.45. Juglets and Ledge Handles: Area K

<i>Type</i> <i>Stratum</i>	<i>JT</i>	<i>LH II</i>	<i>LH III</i>	<i>Total</i>
III	5	1	6	12
II	1		1	2
<i>Total</i>	6	1	7	14

Stratum III (Loci 5030, 5041, 5095, 5113, 5122, 5147, 5149, 5150, 5161, 5179, 5183)

Stratum II (Loci 5098, 5114)

Table 1.46. Ledge Handles: Area L

<i>Type</i> <i>Stratum</i>	<i>LH I</i>	<i>LH II</i>	<i>LH III</i>	<i>Total</i>
IV			1	1
III		2	1	3
II	1	1	4	6
<i>Total</i>	1	3	6	10

Stratum IV (Locus 6130)

Stratum III (Loci 6020, 6037, 6046)

Stratum II (Loci 6028, 6041, 6215)

Table 1.47. Ledge Handles: Area M

<i>Type</i> <i>Stratum</i>	<i>LH II</i>	<i>LH III</i>	<i>Total</i>
IV	4		4
III	4	2	6
<i>Total</i>	8	2	10

Stratum IV (Loci 7029, 7113, 7148, 7149)

Stratum III (Loci 7037, 7059, 7081, 7084, 7122)

